

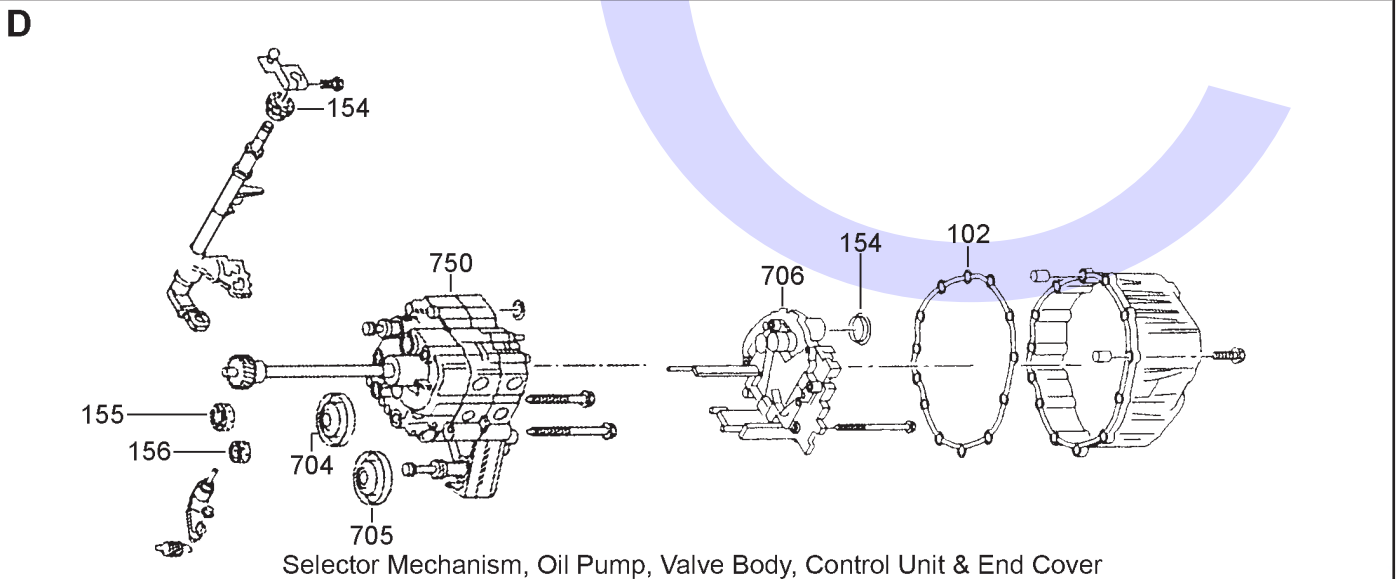
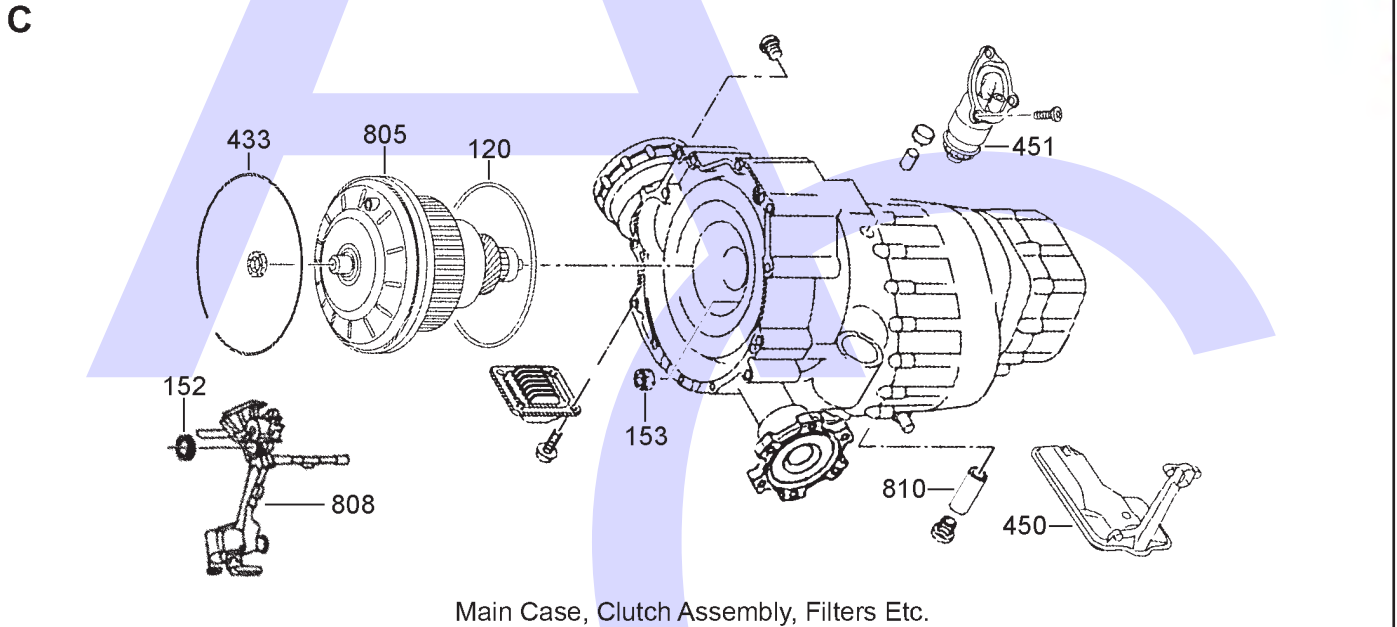
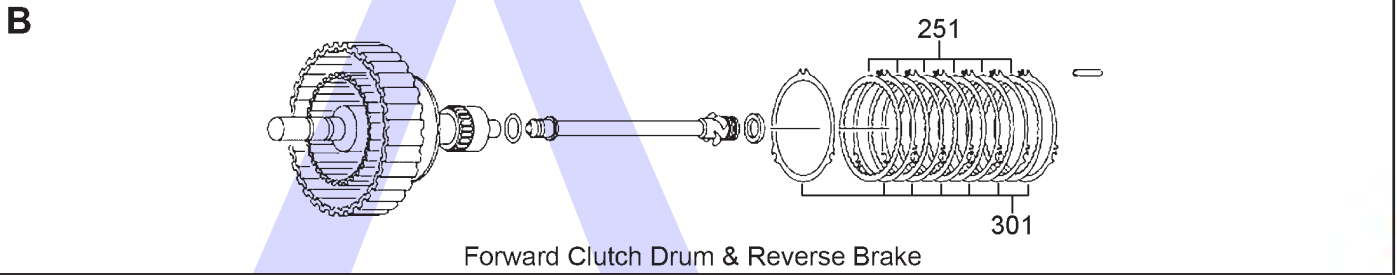
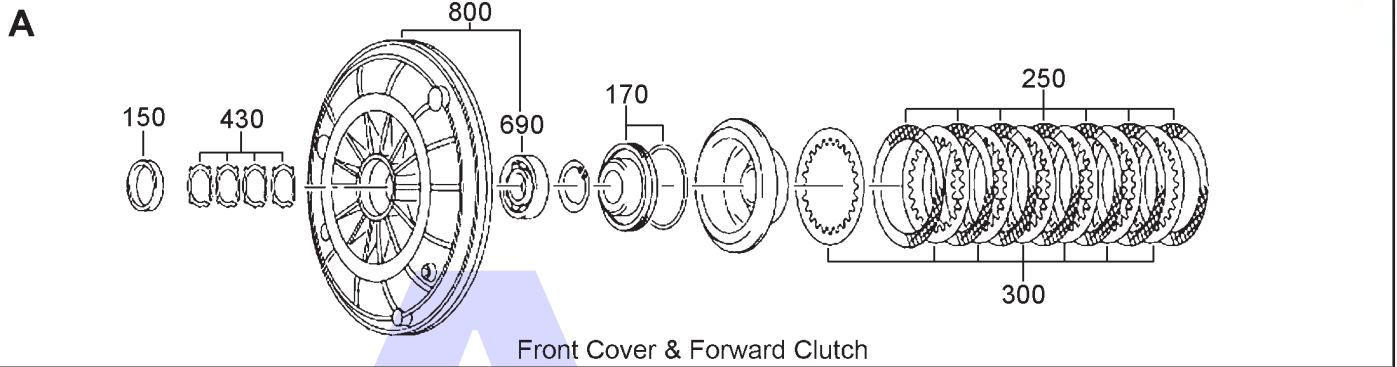
0AW (VL380/VL381, Multitronic), 2007-Up Longitudinal FWD CVT 8 Speed (Electronic Control)



AUTOMATIC CHOICE



THE AUTOMATIC TRANSMISSION PARTS WAREHOUSE



0AW (VL380/VL381, Multitronic), 2007-Up Longitudinal FWD CVT 8 Speed (Electronic Control)

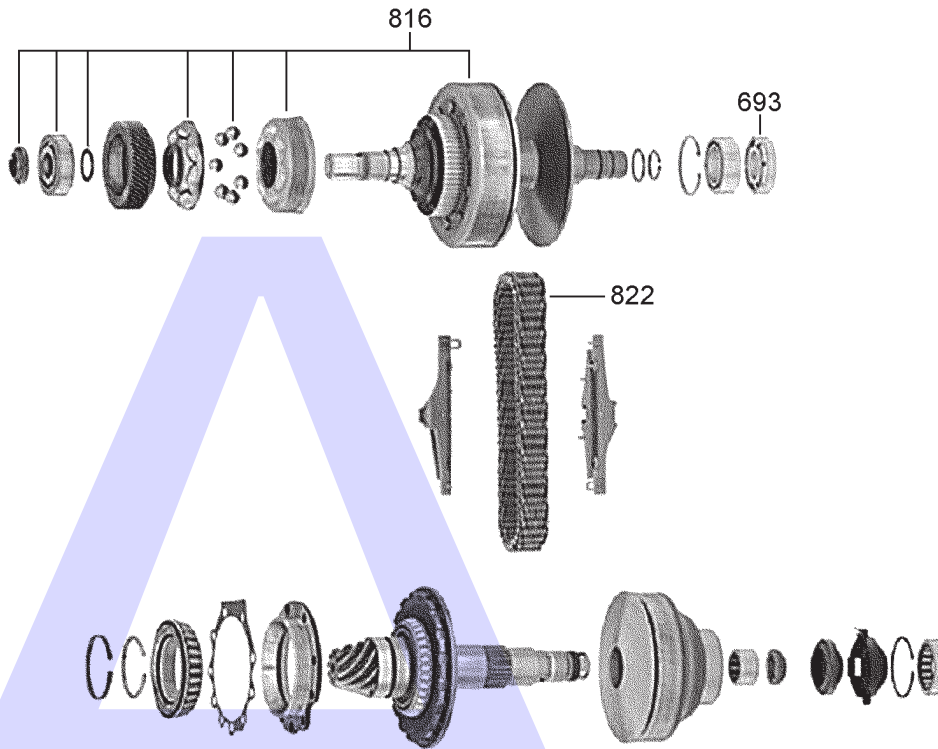


AUTOMATIC CHOICE



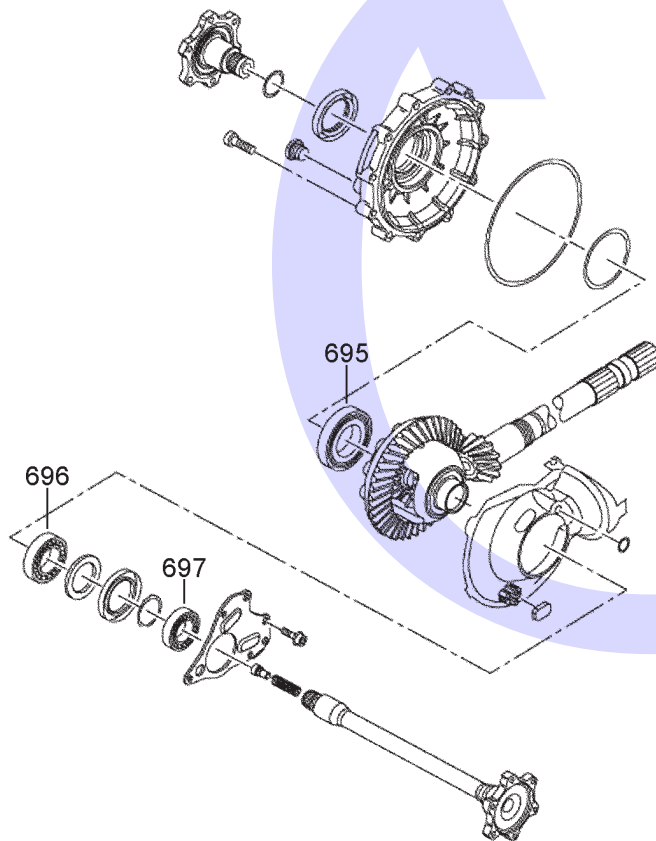
THE AUTOMATIC TRANSMISSION PARTS WAREHOUSE

E



Pulley and Drive Chain Assembly

F



Differential Assembly

0AW (VL380/VL381, Multitronic), 2007-Up Longitudinal FWD CVT 8 Speed (Electronic Control)



AUTOMATIC CHOICE



THE AUTOMATIC TRANSMISSION PARTS WAREHOUSE

ILL NO.	DESCRIPTION	YEARS	QTY	PART NO
KITS				
Kit	Overhaul Kit (AM) Without Pistons Note: Does not contain drive shaft seals	07-ON	1	0AW.OHK11
GASKETS				
102D NI	Gasket, Rear Cover	07-ON	1	0AW.GAS02
NI	Gasket, Front to Rear Housing (Type A, Click here for Info)	07-ON	1	0AW.GAS03
NI	Gasket, Front to Rear Housing (Type B, Click here for Info)	07-ON	1	0AW.GAS04
NI	Gasket, Maincase for Filter Type With Tube	07-ON	1	0AW.GAS05
RUBBER COMPONENTS				
120A	'O' Ring, Front Cover to Case	07-ON	1	0AW.OR01
135E	'O' Ring, Diff Side Cover	07-ON	1	0AW.OR02
METAL CLAD SEALS				
150A	Input Seal	07-ON	1	0AW.MCS01
152C	Entrainment Pump	07-ON	1	01J.MCS05
153C	Oil Feed Tube Seal (8mm ID)	07-ON	1	0AW.MCS05
154D	Manual Shaft (30/22mm x 11.50mm x 12mm)	07-ON	1	01J.MCS03
155D	Oil Feed Tube Seal (12mm ID)	07-ON	3	01J.MCS06
156D	Oil Feed Tube Seal (8mm ID)	07-ON	1	0AW.MCS05
157D	Case Connector (Round Type)	07-ON	1	01J.MCS08
158E	Drive Shaft R/Hand	07-ON	1	0AW.MCS02
159E	Drive Shaft, L/Hand	07-ON	1	0AW.MCS03
NI	Back to Back Pinion Seal (50mm x 105mm x 14.50mm)	07-ON	1	0AW.MCS06
PISTONS				
Kit	Moulded Piston (Aftermarket) Audi A4/A5/A6/A7	07-ON	1	0AW.PISKIT51
170A	Forward Clutch With Seal	07-ON	1	01J.PIS01
SEALING RINGS				
CLUTCH KITS				
Kit	Friction & Steel Kit (Forward Clutch 7 frictions) (Use with 3.0Ltr Petrol & 1.9Ltr, 2.5Ltr Diesel Only) (OEM Update) (Click here for More Info)	07-ON	1	01J.CK01
Kit	Friction & Steel Kit (Forward Clutch 6 frictions) (Use with 1.8Ltr, 2.0Ltr & 2.4Ltr Petrol Vehicles Only) (OEM) (Click here for More Info)	07-ON	1	01J.CK05
Kit	Friction & Steel Kit (OEM) (Reverse Brake)	07-ON	1	01J.CK02
FRICITION PLATES				
Kit	Friction Plate Forward & Reverse (Alto) (Suits 6 Plate Clutches only)	07-ON	1	01J.FRK51
250A	Forward Clutch (Alto)	07-ON	6-7	01J.FRP02
251B	Reverse Clutch (OEM)	07-ON	6-7	01J.FRP31
251B	Reverse Clutch (Alto)	07-ON	6-7	01J.FRP01

ILL NO.	DESCRIPTION	YEARS	QTY	PART NO
STEEL PLATES				
Kit	Steel Plate (Alto) (Suits 6 Plate Clutches only)	07-ON	1	01J.STK51
Kit	Forward Clutch Selective Steel Plates (OEM) (10 Plates, 2 Each Size Selective)	07-ON	1	01J.CK03
Kit	Reverse Brake Selective Steel Plates (OEM) (10 Plates, 2 Each Size Selective)	07-ON	1	01J.CK04
300A	Forward Clutch Selective (1.90mm Thick)	07-ON	AR	01J.STP01
	(2.15mm Thick)	07-ON	AR	01J.STP02
	(2.65mm Thick)	07-ON	AR	01J.STP03
	(2.90mm Thick)	07-ON	AR	01J.STP04
	(3.15mm Thick)	07-ON	AR	01J.STP05
301B	Reverse Brake Selective (1.90mm Thick)	07-ON	AR	01J.STP06
	(2.15mm Thick)	07-ON	AR	01J.STP07
	(2.65mm Thick)	07-ON	AR	01J.STP08
	(2.90mm Thick)	07-ON	AR	01J.STP09
	(3.15mm Thick)	07-ON	AR	01J.STP10
PRESSURE PLATES				
SPRINGS & CIRCLIPS				
430A	Circlip Kit, Input Drum to Cover (Updated Design) (1 each 1.63mm, 1.72mm, 1.81mm & 1.90mm)	07-ON	1	01J.CIR01
433C	Circlip Set, Front Cover	07-ON	1	0AW.CIR01
FILTERS				
450C	Internal Filter (3mm Pickup) Use 0AW.FIL02 & Trim Pick Up	07-ON	1	NLA
450C	Internal Filter (19mm Pickup)	07-ON	1	0AW.FIL02
451C	External Filter Cartridge	07-ON	1	0AW.FIL01
BUSHINGS				
THRUST WASHERS & BEARINGS				
690A	Front Cover Bearing (Ball Race)	07-ON	1	01J.BE01
693E	Ball Bearing, Rear of Primary Drum (32.5mm x 88mm x 33.15mm)	07-ON	1	0AW.BE08
695F	Diff Bearing R/Hand (88.90mm x 19.05mm)	07-ON	1	X-0B4.BE06
696F	Diff Bearing L/Hand (74.985mm x 20.40mm)	07-ON	1	X-0B4.BE07
697F	L/Hand Driveshaft Flang Support Bearing (35mm x 62mm x 41mm)	07-ON	1	X-0B4.BE08

0AW (VL380/VL381, Multitronic), 2007-Up Longitudinal FWD CVT 8 Speed (Electronic Control)



AUTOMATIC CHOICE



THE AUTOMATIC TRANSMISSION PARTS WAREHOUSE

ILL NO.	DESCRIPTION	YEARS	QTY	PART NO
ELECTRICAL COMPONENTS				
704D	Sensor Ring, Secondary	07-ON	1	0AW.ELE01
705D	Sensor Ring, Primary	07-ON	1	0AW.ELE01
706D	Mechatronic Control Unit (Transmission Code Required)	07-ON	1	0AW.ELExx Mechatronic Units, Important Note.
NI	Solenoid, Valve Body N88, Clutch Cooling & Safety Shut Off N215, Clutch Pressure N216, Pulley Ratio (Sonnax@ Click here for Info)	... 07-ON	3	0AW.SOL01

VALVE BODY PARTS				
750D	Valve Body with Oil Pump & Gear (Transmission Code Required)	07-ON	1	0AW.VBxx
Kit	Oversized VSTV Valve Requires AG4.VA05 Universal Fixture & Toolkit 0AW.VA02 (Sonnax@ Click here for Info)	... 01-ON	1	0AW.VA01
Kit	Toolkit for 0AW.VA01 (Sonnax@)	01-ON	AR	0AW.VA02

HARD PARTS				
800A	Front Cover Assy (With Bearing & Rev Piston)	07-ON	1	0AW.COV01
805C	Input Drum, 7 Plate (Fits Codes: KSS, LAU, LKY, LLA, LTZ, MMV, MMW)	07-ON	1	0AW.DRU01
805C	Input Drum, 7 Plate (Used) (28/48 Teeth With 3 ID Grooves)	07-ON	1	0AW.DRU31
805C	Input Drum, 7 Plate (Fits Codes: JXS, KGA, KSU, LAQ, LAS, LKT, LKX, LKV, MVC, MVB, MMU)	07-ON	1	0AW.DRU02
805C	Input Drum, 7 Plate (Fits Codes: KST, LKS, LKZ, LAV, MQZ)	07-ON	1	0AW.DRU03
805C	Input Drum, 7 Plate (Fits Codes: NDW, NRJ, NDY, NYM, PCG, PR-TF1)	11-ON	1	0AW.DRU04
805C	Input Drum, 7 Plate (Fits Codes: NDS, NDU, NDV, PR-T44)	11-ON	1	0AW.DRU05
805C	Input Drum, 7 Plate (Fits Codes: NDT, PR-TF8)	11-ON	1	0AW.DRU06
810C	Tube, Fluid Level (Fits Codes: JXS, KSS, KST, KSU)	07-ON	1	0AW.TU01
810C	Tube, Fluid Level (Fits Codes: LAS, LAU, LAV, LKY, LAQ, LTZ, LKS, LKT, LKX, LNC, LLA, AFR, MMV, MQZ, MVC, MVB, MMW, MMU)	07-ON	1	0AW.TU02
808C	Entrainment Pump (Used)	07-ON	1	0AW.PUM34
816E	Primary Drum (Used) (49 Teeth, 1 ID Groove With Torque Ramp)	07-ON	1	0AW.DRU34
816E	Primary Drum (Used) (49 Teeth, 1 ID Groove Without Torque Ramp)	07-ON	1	0AW.DRU35
822E	Drive Chain (Used)	07-ON	1	0AW.CH31

ILL NO.	DESCRIPTION	YEARS	QTY	PART NO
SPECIAL ITEMS				
Oil	Special Fluid Required For 0AW Transmission			
	1 Litre Bottle	01-ON	AR	0AW.OIL01
	20 Litre Canister	01-ON	AR	0AW.OIL02
Note: Initial filling approx. 8.0 Ltr. Oil change, 5.5 - 7.0 Ltr.				

TOOLS & MANUALS				