

ZF 4HP16 (Daewoo, Chevrolet, Suzuki)

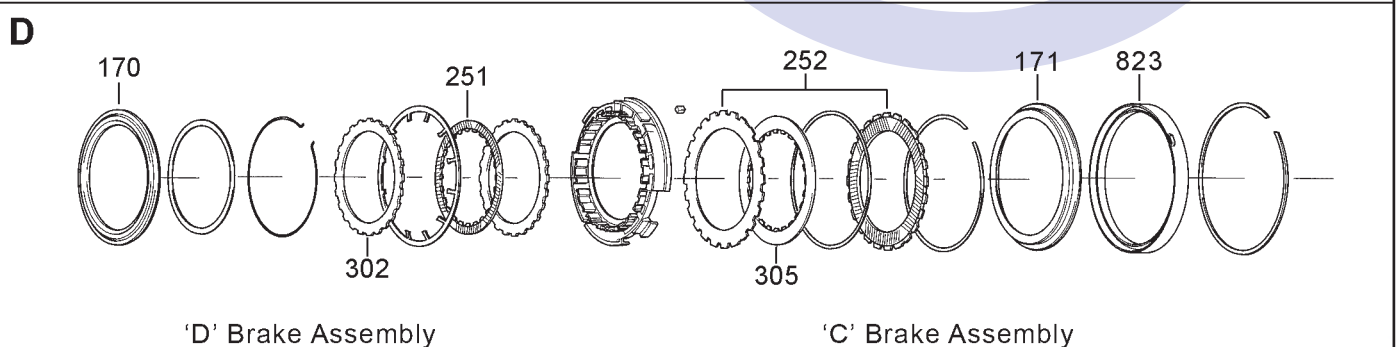
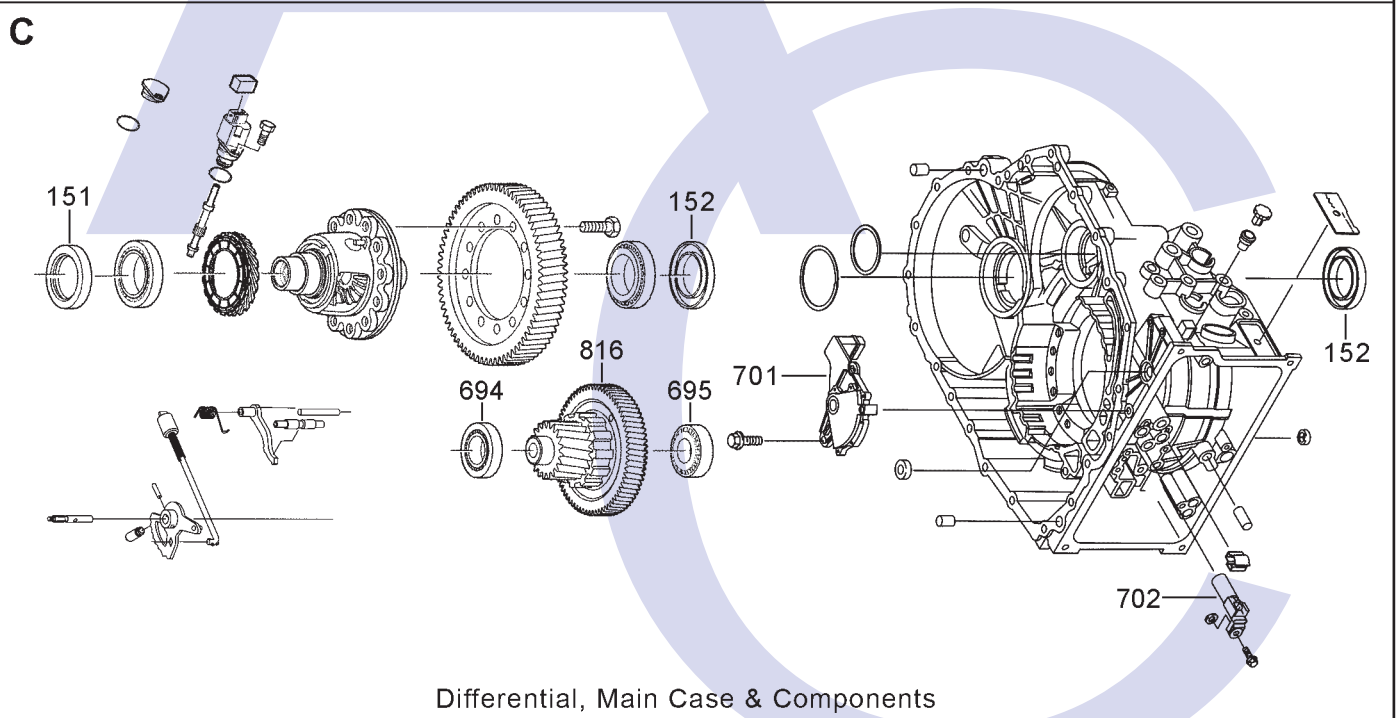
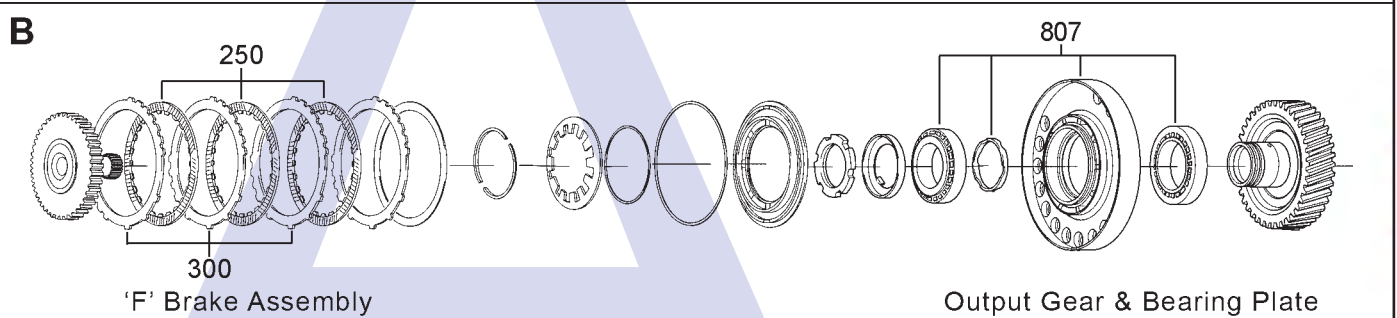
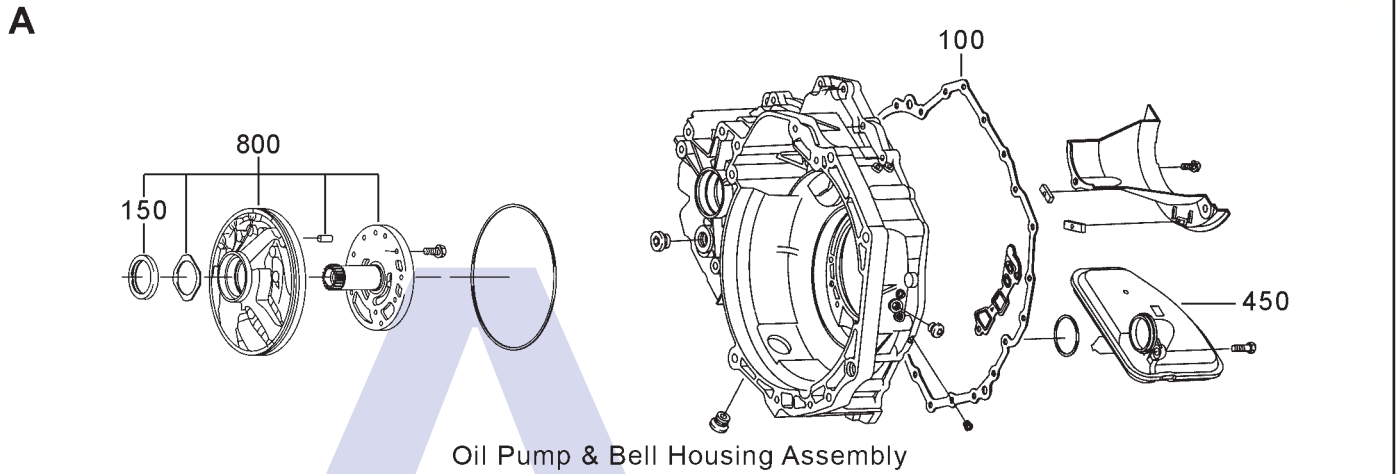
4 SPEED FWD (Electronic Control)



AUTOMATIC CHOICE



THE AUTOMATIC TRANSMISSION PARTS WAREHOUSE



ZF 4HP16 (Daewoo, Chevrolet, Suzuki) 4 SPEED FWD (Electronic Control)

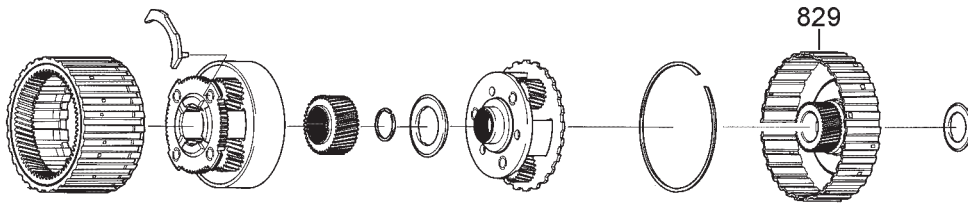


AUTOMATIC CHOICE



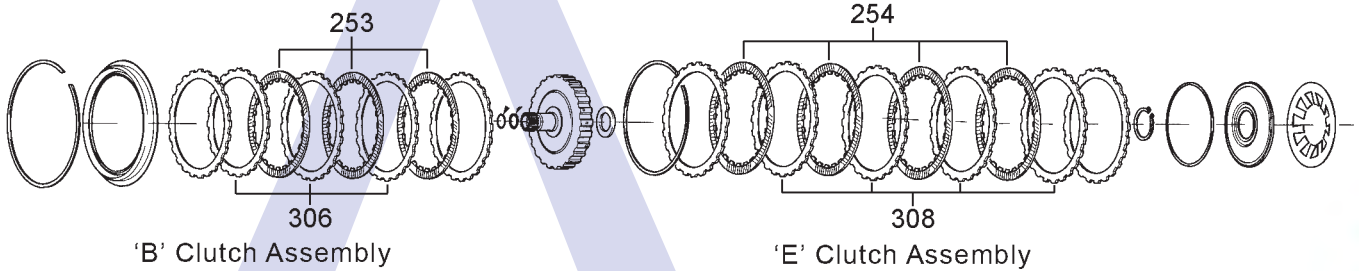
THE AUTOMATIC TRANSMISSION PARTS WAREHOUSE

E



Front & Rear Planetary Assembly

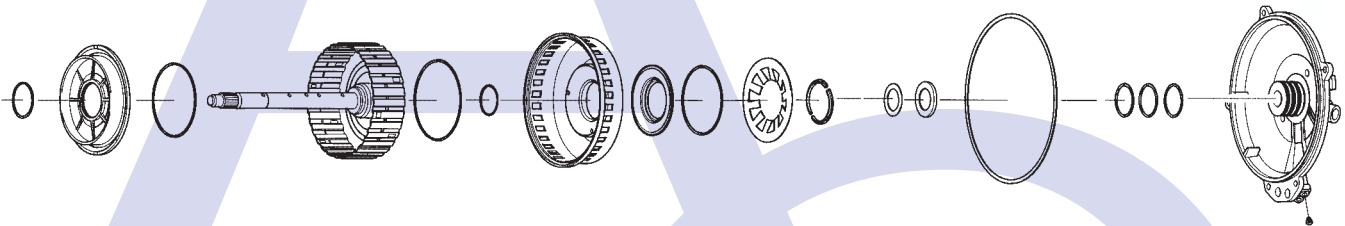
F



'B' Clutch Assembly

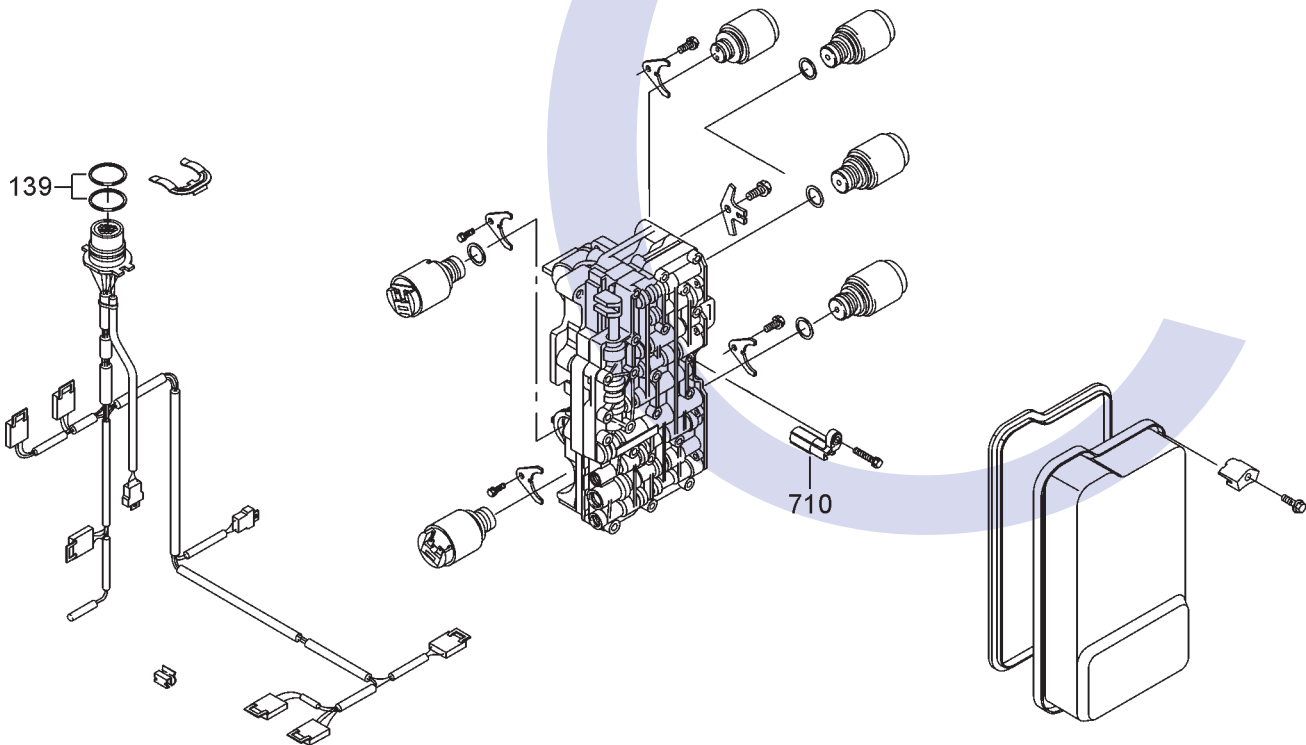
'E' Clutch Assembly

G



'B' & 'E' Clutch Carriers & End Cover

H



Valve Body and Associated Components

ZF 4HP16 (Daewoo, Chevrolet, Suzuki)

4 SPEED FWD (Electronic Control)



AUTOMATIC CHOICE



THE AUTOMATIC TRANSMISSION PARTS WAREHOUSE

ILL NO.	DESCRIPTION	YEARS	QTY	PART NO
KITS				
Kit	Overhaul Kit (Precision).....	00-ON	1	4HP16.OHK51
GASKETS				
100A	Bell Housing to Main Case.....	00-ON	1	4HP16.GAS02
RUBBER COMPONENTS				
139H	Case Connector 'O' Ring	00-ON	2	5HP18.OR03
METAL CLAD SEALS				
150A	Pump to Converter (OEM)	00-ON	1	3HP22.MCS01
150A	Pump to Converter (Aftermarket)	00-ON	1	3HP22.MCS51
151A	Drive Shaft Right Hand	00-ON	1	4HP16.MCS03
152A	Drive Shaft Left Hand.....	00-ON	1	4HP16.MCS02
MOULDED PISTONS				
Kit	Bonded Piston Kit (AM)			
	('C' & 'D' Brake Pistons)	00-ON	1	4HP16.PISKIT
170D	'D' Brake Bonded Piston (AM) ..	00-ON	1	4HP16.PIS12
171D	'C' Brake Bonded Piston (OE)...	00-ON	1	4HP16.PIS01
171D	'C' Brake Bonded Piston (AM) ..	00-ON	1	4HP16.PIS11
SEALING RINGS				
FRICTION PLATES				
Kit	Friction Plate (Allomatic)	04-ON	1	4HP16.FRK01
Kit	Friction Plate (Alto)	00-ON	1	4HP16.FRK51
250B	'F' Brake			
	(166.4mm OD x 1.57mm x 30T) 00-ON		3	4HP16.FRP03
251D	'D' Brake			
	(156.4mm OD x 1.57mm x 40T) 00-ON		3	4HP16.FRP02
252D	'C' Brake, One Sided External Spline			
	(142.8mm ID x 2.21mm x 24T) . 00-ON		2	4HP16.FRP01
253F	'B' Clutch			
	(166.4mm OD x 1.57mm x 30T) 00-ON		3	4HP16.FRP03
254F	'E' Clutch			
	(166.4mm OD x 1.57mm x 30T) 00-ON		4	4HP16.FRP03
STEEL PLATES				
Kit	Steel Plate.....	00-ON	1	4HP16.STK01
Kit	Steel Plate (Alto).....	00-ON	1	4HP16.STK51
300B	'F' Brake			
	(142.9mm ID x 1.75mm x 16T) . 00-ON		3	4HP16.STP06
302D	'D' Brake			
	(133.9mm ID x 1.7mm x 24T) ... 00-ON		3	4HP16.STP05
305D	'C' Brake, Internal Spline			
	(185mm OD x 3.00mm x 30T) .. 00-ON		1	4HP16.STP01
306F	'B' Clutch			
	(142.9mm ID x 1.80mm x 30T) . 00-ON		1	4HP16.STP03
306F	'B' Clutch			
	(142.9mm ID x 2.44mm x 30T) . 00-ON		2	4HP16.STP04
308F	'E' Clutch			
	(142.9mm ID x 2.06mm x 30T) . 00-ON		3	4HP16.STP02
308F	'E' Clutch			
	(142.9mm ID x 1.80mm x 30T) . 00-ON		1	4HP16.STP03

ILL NO.	DESCRIPTION	YEARS	QTY	PART NO
PRESSURE PLATES				
SPRINGS & CIRCLIPS				
FILTERS				
450A	Pick Up Filter (Daewoo OEM)...	00-ON	1	4HP16.FIL01
450A	Pick Up Filter (Daewoo AM).....	00-ON	1	4HP16.FIL11
BANDS				
BUSHINGS				
THRUST WASHERS & BEARINGS				
694C	Bearing, Idler Gear R/Hand	00-ON	1	4HP16.BE02
695C	Bearing, Idler Gear L/Hand	00-ON	1	4HP16.BE01
ELECTRICAL COMPONENTS				
701C	Range Switch (OEM)			
	(Daewoo/Chevrolet)	00-ON	1	4HP16.ELE01
701C	Range Switch (Aftermarket)			
	(Daewoo/Chevrolet)	00-ON	1	4HP16.ELE51
702C	Output Speed Sensor	00-ON	1	4HP16.ELE02
710H	Input Speed Sensor	00-ON	1	4HP16.ELE03
VALVE BODY PARTS				
HARD PARTS				
800A	Oil Pump Assembly.....	00-ON	1	4HP16.PUM01
807B	Bearing Assy, Output Gear	00-ON	1	4HP16.GE02
816C	Gear, Idler	00-ON	1	4HP16.GE01
823D	'C' Brake Cylinder	00-ON	1	4HP16.DRU01
829E	Rear Planet Sun Gear Shell.....	00-ON	1	4HP16.SUN01
SPECIAL ITEMS				
TOOLS & MANUALS				