

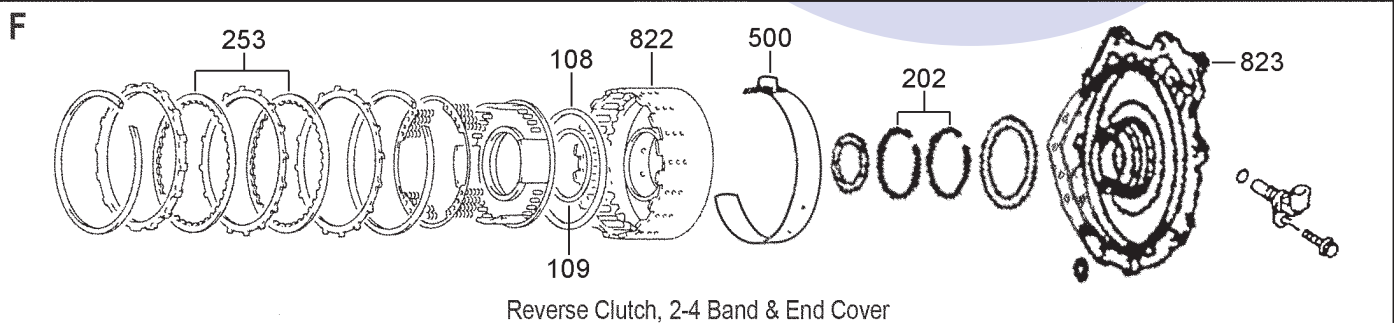
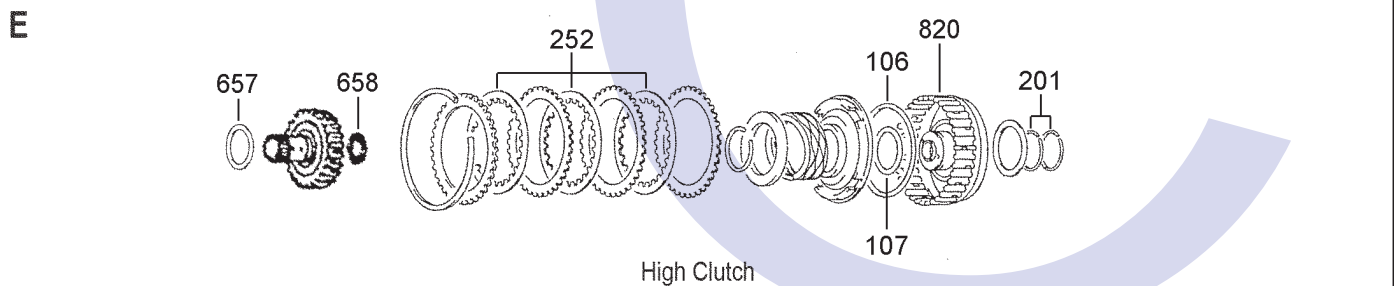
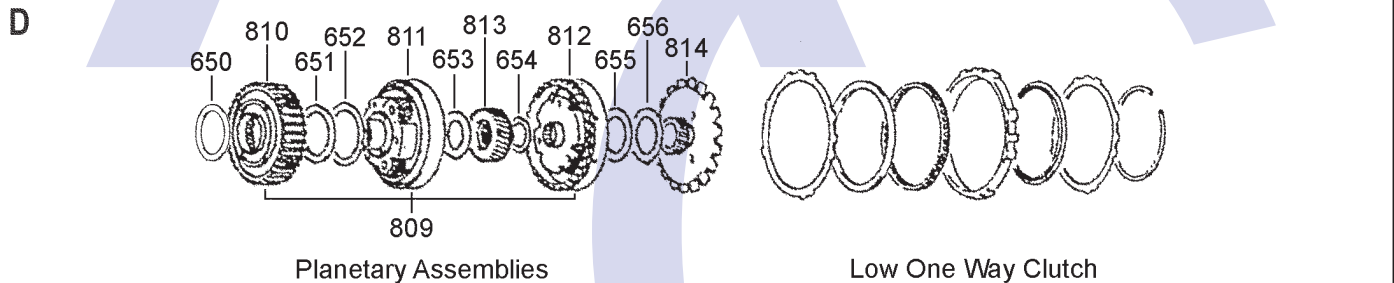
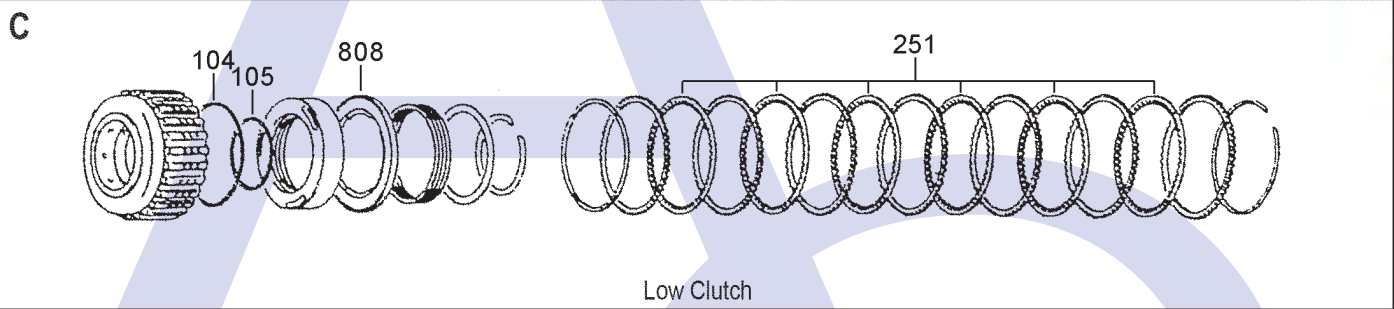
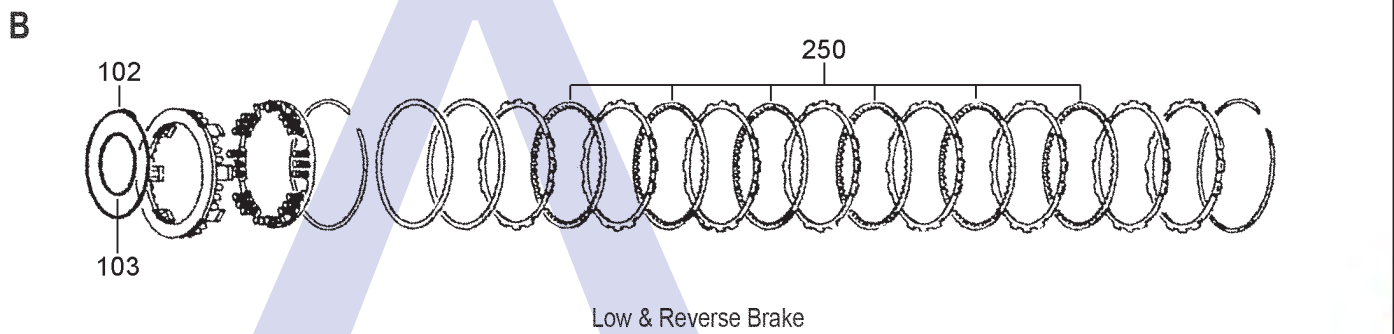
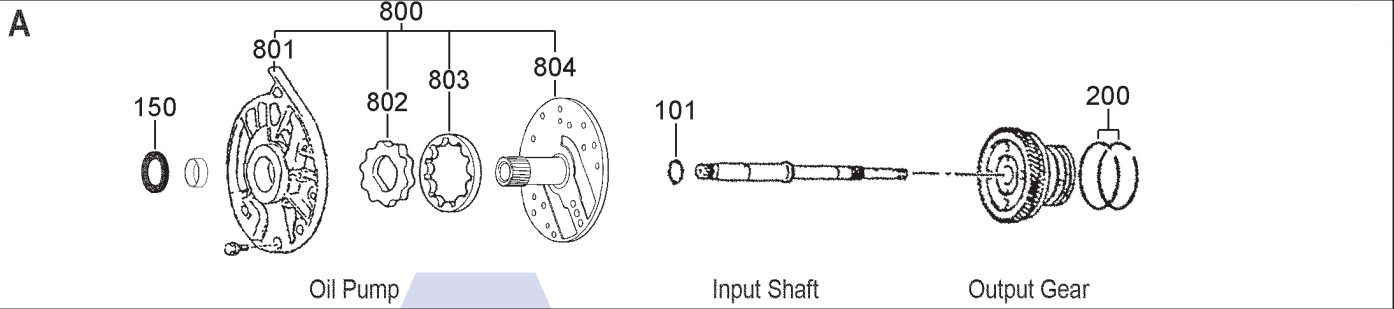
# JF405E (Formerly JF402E)(Hyundai Atoz), (Suzuki Wagon R Plus, MR Wagon, Cervo), (Nissan Moco, Pino), (Mazda AZ-Wagon, Spiano),(Kia Morning), (GM Daewoo Matiz) (Opel Agila) - 4 Speed FWD (Electronic Control)



AUTOMATIC CHOICE



THE AUTOMATIC TRANSMISSION PARTS WAREHOUSE



**JF405E (Formerly JF402E)**(Hyundai Atoz), (Suzuki Wagon R Plus, MR Wagon, Cervo), (Nissan Moco, Pino), (Mazda AZ-Wagon, Spiano),(Kia Morning), (GM Daewoo Matiz) (Opel Agila) - 4 Speed FWD (Electronic Control)

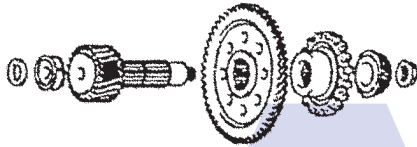


AUTOMATIC CHOICE

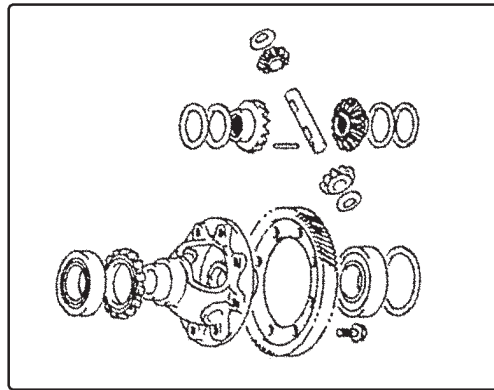


THE AUTOMATIC TRANSMISSION PARTS WAREHOUSE

G



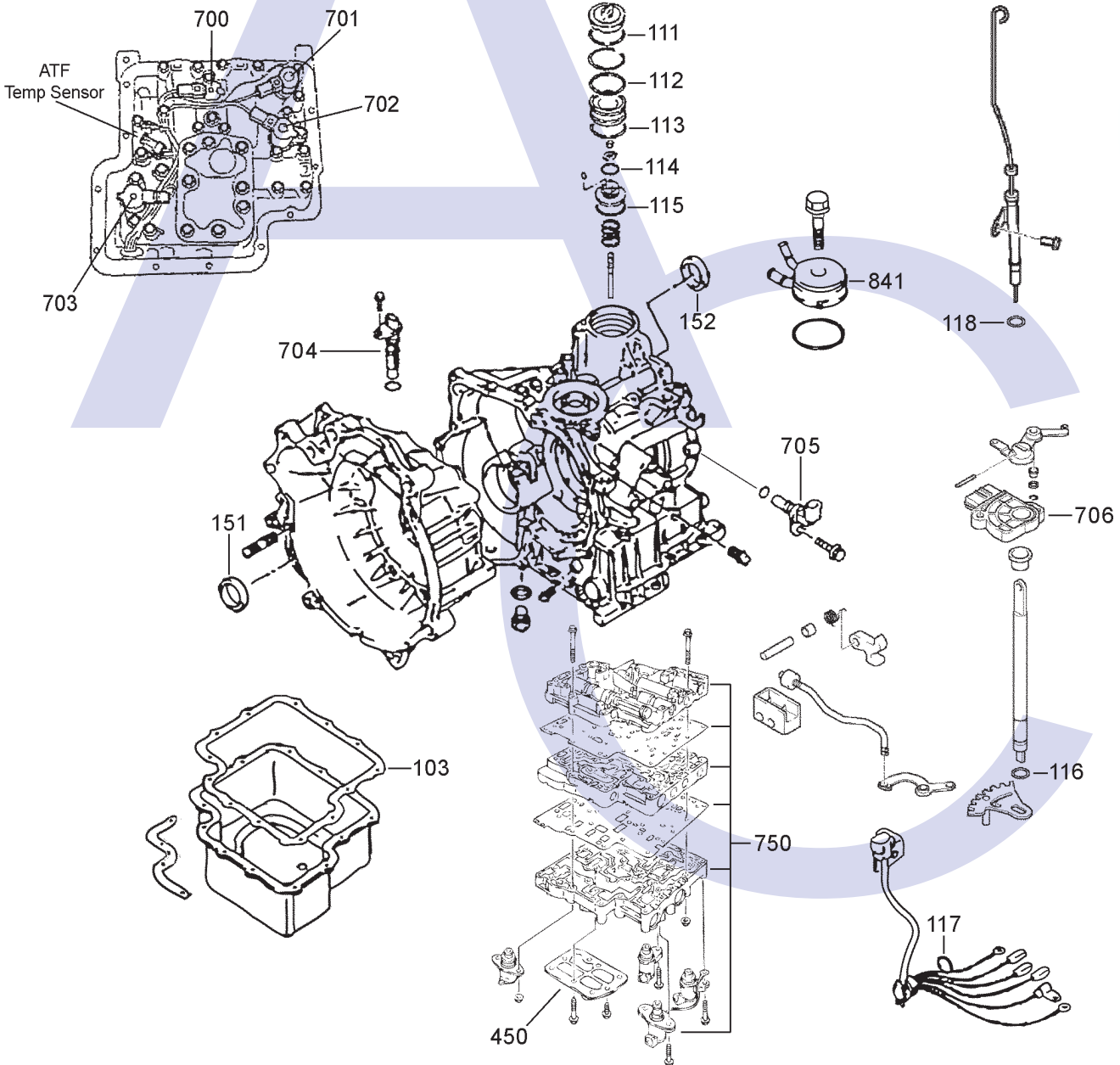
Reduction Gear Assembly



Differential Assembly

835

H



Casing, Bell Housing, Valve Body & Associated Parts

# JF405E (Formerly JF402E)(Hyundai Atoz), (Suzuki Wagon R Plus, MR Wagon, Cervo), (Nissan Moco, Pino), (Mazda AZ-Wagon, Spiano),(Kia Morning), (GM Daewoo Matiz) (Opel Agila) - 4 Speed FWD (Electronic Control)



AUTOMATIC CHOICE



THE AUTOMATIC TRANSMISSION PARTS WAREHOUSE

ILL NO.	DESCRIPTION	YEARS	QTY	PART NO
<b>KITS</b>				
Kit	Master Overhaul Kit (With Friction & Steel Plates)....	98-ON	1	JF402E.MOHK01
Kit	Super Overhaul Kit (With Band, Filter, Friction & Steel Plates) .....	98-ON	1	JF402E.SOHK01
Kit	Overhaul Kit (OEM) (Hyundai Atoz) .....	98-ON	1	JF402E.OHK01
Kit	Overhaul Kit (Transtec) (Suzuki, Nissan, Mazda, Hyundai, Kia, Daewoo) .....	98-ON	1	JF402E.OHK02
Kit	Overhaul Kit (Precision) (Suzuki, Nissan, Mazda, Hyundai, Kia, Daewoo) .....	98-ON	1	JF402E.OHK51
<b>GASKETS</b>				
103H	Oil Pan .....	98-ON	1	JF402E.GAS01
NI	Washer, Drain Plug .....	98-ON	1	JF402E.GAS05
<b>RUBBER COMPONENTS</b>				
101A	'O' Ring, Input Shaft .....	98-ON	1	JF402E.OR22
102C	'D' Ring, Low/Reverse (Outer) ..	98-ON	1	JF402E.OR08
103C	'D' Ring, Low/Reverse (Inner) ...	98-ON	1	JF402E.OR07
104B	'D' Ring, Low Clutch (Outer) .....	98-ON	1	JF402E.OR06
105B	'D' Ring, Low Clutch (Inner) .....	98-ON	1	JF402E.OR05
106E	'D' Ring, High Clutch (Outer).....	98-ON	1	JF402E.OR10
107E	'D' Ring, High Clutch (Inner) .....	98-ON	1	JF402E.OR09
108F	'D' Ring, Reverse Clutch(Outer) ..	98-ON	1	JF402E.OR12
109F	'D' Ring, Reverse Clutch (Inner) ..	98-ON	1	JF402E.OR11
111H	'O' Ring, Servo Cover .....	98-ON	1	JF402E.OR13
112H	'O' Ring, Servo (Sleeve Upper) .....	98-ON	1	JF402E.OR17
113H	'O' Ring, Servo (Sleeve Lower) .....	98-ON	1	JF402E.OR16
114H	'D' Ring, Servo (Small) .....	98-ON	1	JF402E.OR14
115H	'D' Ring, Servo (Large) .....	98-ON	1	JF402E.OR15
116H	'O' Ring, Manual Shaft .....	98-ON	1	JF402E.OR19
117H	'O' Ring, Case Connector .....	98-ON	1	JF402E.OR20
118H	'O' Ring, Dipstick .....	98-ON	1	JF402E.OR18
NI	'O' Ring, Input Shaft .....	98-ON	2	JF402E.OR21
<b>METAL CLAD SEALS</b>				
150A	Converter Seal (Atoz, Amica, Matiz) .....	98-ON	1	JF402E.MCS01
151H	Axle (54 x 35 x 7mm) .....	98-ON	1	JF402E.MCS02
152H	Axle (52 x 35 x 8mm) .....	98-ON	1	JF402E.MCS03
<b>MOULDED PISTONS</b>				
<b>SEALING RINGS</b>				
200A	Output Gear (Teflon®) .....	98-ON	2	JF402E.SSR06
201E	High Clutch (Teflon®) .....	98-ON	2	JF402E.SSR05
202F	Reverse Clutch (Teflon®) .....	98-ON	2	JF402E.SSR07

ILL NO.	DESCRIPTION	YEARS	QTY	PART NO
<b>FRICITION PLATES</b>				
Kit	Friction Plate Kit (Aftermarket) ..	98-ON	1	JF402E.FRK01
Kit	Friction Plate Kit (Alto) .....	98-ON	1	JF402E.FRK51
250B	Low& Reverse Brake (Raybestos) (130.6mm OD x 1.57mm x 36T) ..	98-ON	7	JF402E.FRP02
250B	Low& Reverse Brake (Alto) (130.6mm OD x 1.57mm x 36T) ..	98-ON	7	JF402E.FRP52
251C	Low Clutch (Raybestos) (109.5mm OD x 1.57mm x 38T) ..	98-ON	7	JF402E.FRP01
251C	Low Clutch (Alto) (109.5mm OD x 1.57mm x 38T) ..	98-ON	7	JF402E.FRP51
252E	High Clutch (Raybestos) (89.1mm OD x 1.57mm x 24T) ..	98-ON	3	JF402E.FRP03
252E	High Clutch (Alto) (89.1mm OD x 1.57mm x 24T) ..	98-ON	3	JF402E.FRP53
253F	Reverse Clutch (Raybestos) (110.3mm OD x 1.57mm x 36T) ..	98-ON	2	JF402E.FRP04
253F	Reverse Clutch (Alto) (110.3mm OD x 1.57mm x 36T) ..	98-ON	2	JF402E.FRP54
<b>STEEL PLATES</b>				
Kit	Steel Plate Kit (Alto) .....	98-ON	1	JF402E.STK51
300B	Low& Reverse Brake (120.8mm ID x 1.80mm x 10T) ..	98-ON	7	JF402E.STP02
301C	Low Clutch (101mm ID x 1.42mm x 36T) .....	98-ON	7	JF402E.STP01
302E	High Clutch (74.5mm ID x 2.01mm x 36T) ...	98-ON	3	JF402E.STP03
303F	Reverse Clutch (100mm ID x 1.98mm x 16T) .....	98-ON	2	JF402E.STP04
<b>PRESSURE PLATES</b>				
<b>SPRINGS &amp; CIRCLIPS</b>				
<b>FILTERS</b>				
450H	Filter, (Atoz, Amica, Matiz) .....	98-ON	1	JF402E.FIL01
<b>BANDS</b>				
500F	Brake Band (Atoz, Amica, Matiz) .....	98-ON	1	JF402E.BAN01
<b>BUSHINGS</b>				
<b>THRUST WASHERS &amp; BEARINGS</b>				
650D	Radial Bearing, Output Gear to Front Annulus .....	98-ON	1	JF402E.TOR01
651D	Radial Bearing, Annulus to Front Planet .....	98-ON	1	JF402E.TOR02
652D	Thrust Race, Annulus to Front Planet .....	98-ON	1	JF402E.TOR03



# JF405E (Formerly JF402E)(Hyundai Atoz), (Suzuki Wagon R Plus, MR Wagon, Cervo), (Nissan Moco, Pino), (Mazda AZ-Wagon, Spiano),(Kia Morning), (GM Daewoo Matiz) (Opel Agila) - 4 Speed FWD (Electronic Control)



AUTOMATIC CHOICE



THE AUTOMATIC TRANSMISSION PARTS WAREHOUSE

ILL NO.	DESCRIPTION	YEARS	QTY	PART NO
<b>THRUST WASHERS &amp; BEARINGS Cont...</b>				
653D	Radial Bearing, Front Planet to Front Sun Gear.....	98-ON	1	JF402E.TOR04
654D	Radial Bearing, Front Sun Gear to Rear Planet.....	98-ON	1	JF402E.TOR05
655D	Radial Bearing, Rear Planet to Rear Sun Gear.....	98-ON	1	JF402E.TOR08
656D	Thrust Race, Rear Planet to Rear Sun Gear.....	98-ON	1	JF402E.TOR07
657E	Radial Bearing, Rear Sun Gear to High Clutch Hub.....	98-ON	1	JF402E.TOR08
658E	Radial Bearing, High Clutch Hub to High Clutch Drum.....	98-ON	1	JF402E.TOR09
<b>ELECTRICAL COMPONENTS</b>				
700H	Pressure Control Solenoid (EPC) Update Kit Consists of: 1 x Second Design EPC Solenoid & 1 x V. Body Lower Section.....	>1/11/00	1	JF402E.SOL01
700H	Pressure Control Solenoid (EPC) ("N11", 2nd Design) .....	1/11/00>	1	JF402E.SOL05
701H	Shift Solenoid 'B', "N9" (White Connector).....	98-ON	1	JF402E.SOL03
702H	Shift Solenoid 'A', "N8" (Green Connector).....	98-ON	1	JF402E.SOL04
703H	Lock Up Solenoid (TCC, "N10") (Black Connector) .....	98-ON	1	JF402E.SOL02
704H	Speed Sensor, Output (OSS)....	98-ON	1	JF402E.ELE03
705H	Speed Sensor, Input (TSS).....	98-ON	1	JF402E.ELE02
706H	Range Switch.....	98-ON	1	JF402E.INH01
<b>VALVE BODY PARTS</b>				
750H	Valve Body, (Kia Picanto).....	98-ON	1	JF405E.VB01
<b>HARD PARTS</b>				
800A	Pump Assembly (Complete) .....	98-ON	1	JF402E.PUM01
801A	Pump Housing (Without Gears)	98-ON	1	JF402E.PUM02
802A	Pump Inner Gear .....	98-ON	1	JF402E.PUM04
803A	Pump Outer Gear.....	98-ON	1	JF402E.PUM05
804A	Pump Cover/Stator Assembly ...	98-ON	1	JF402E.PUM03
808C	Piston, Balance Low Clutch .....	98-ON	1	JF402.PIS01
809D	Planetary Kit (Atoz).....	98-ON	1	JF402E.PLK01
810D	Annulus (Rear Planetary).....	98-ON	1	JF402E.GE01
811D	Front Planetary .....	98-ON	1	JF402E.PL01
812D	Rear Planetary.....	98-ON	1	JF402E.PL02
813D	Rear Sun Gear.....	98-ON	1	JF402E.SUN02
814D	Front Sun Gear Assembly.....	98-ON	1	JF402E.SUN01
820E	High Clutch Drum.....	98-ON	1	JF402E.DRU02
822F	Reverse Clutch Drum.....	98-ON	1	JF402E.DRU03
823F	End Cover (Kia Picanto) .....	04-ON	1	JF402E.COV01
835G	Differential Unit, 69 Teeth on Crown Wheel with 2 ID Grooves, 15 Teeth on Reluctor Ring, 22 Internal Splines, 16 Teeth on Large Pinions, 10 Teeth on Small Pinions .....	98-ON	1	JF402E.DIFF01
841H	Fluid Heat Exchanger/Cooler (Chevrolet) .....	98-ON	1	JF402E.COOL01

ILL NO.	DESCRIPTION	YEARS	QTY	PART NO
<b>SPECIAL ITEMS</b>				
<b>TOOLS &amp; MANUALS</b>				