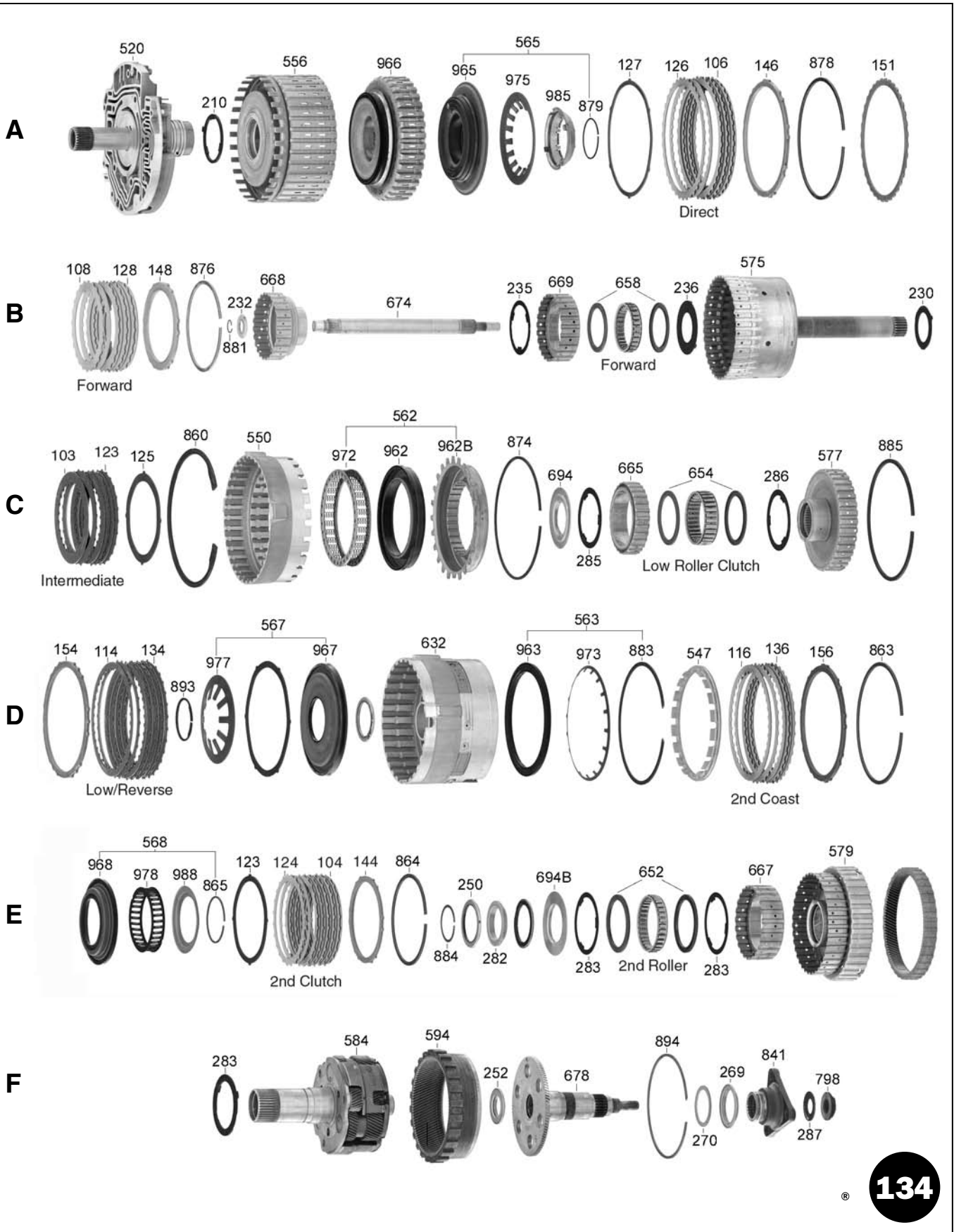
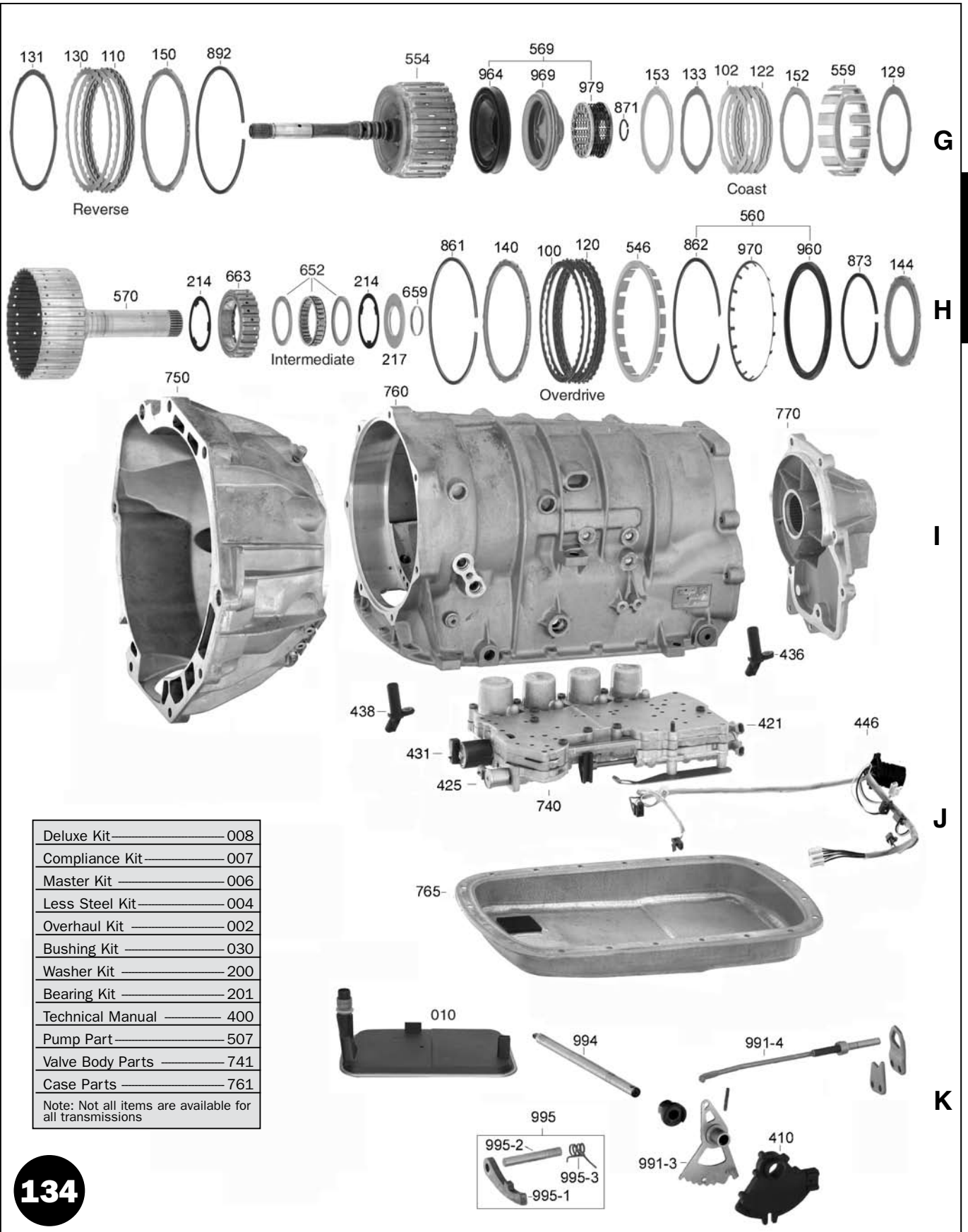


4L40E 4 SPEED, 5L40E 5 SPEED (M82), 5L50E (M22) - ELECTRONIC - RWD



4L40E 4 SPEED, 5L40E 5 SPEED (M82), 5L50E (M22) - ELECTRONIC - RWD



4L40E, 5L40E

4L40E 4 SPEED, 5L40E 5 SPEED (M82), 5L50E (M22) - ELECTRONIC - RWD



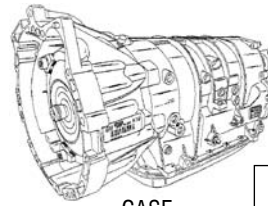
134010E



134010EA



134010B



CASE



134300

BMW (4L/5L40E)	99-Up
Cadillac CTS (5L40E)	03-Up
XLR (5L50E)	04-Up

ILL.	DESCRIPTION	QTY.	YEAR	PART NO.	REFERENCE NO.
MASTER OVERHAUL KITS (WITH STEELS)					
006K	4L40E (w/ Pistons)	1	99-Up	134006B	K4100N
006K	5L40E, 5L50E (A5S, 360R) (w/ Pistons)	1	00-01	134006C	K4100M
006K	5L40E, 5L50E (A5S, 360R) (w/o Pistons, purchase A134960K separately)	1	00-01	134006	N/A
006K	5L40E, 5L50E (A5S, 360R) (w/ Pistons)	1	02-Up	134006D	K4100P
006K	5L40E, 5L50E (A5S, 360R) (w/o Pistons, purchase A134960AK separately)	1	02-Up	134006A	N/A
OVERHAUL KITS (W/ RINGS & SEALS)					
002K	4L40E, 5L40E, 5L50E (w/o Pistons).....	1	99-Up	134002	K41900M
FILTERS					
010J	Filter w/o Neck Spacer, Flat Inlet	1	99-Up	134010B	41800M
010J	Filter w/ Neck Spacer, 1/2" Tall Plastic Inlet	1	99-Up	134010	41800N
010J	Filter w/ Neck Spacer, Flat Inlet	1	99-Up	134010A	41800P
BUSHINGS					
030K	Bushing Kit	1	99-Up	134030	K41901M
034	Pump.....	1	99-Up	74034B	61005T
METAL CLAD SEALS					
070	Converter.....	1	99-Up	134070	41151F
074	Rear.....	1	99-Up	134074	41201F
FRICION PLATES (ONE SIDED FRICTION) INTERNAL TEETH					
100H	Overdrive	2	99-Up	134100	41100M
102G	Coast.....	3	99-Up	134102	41108M
103C	Intermediate.....	3	99-Up	134103	41106M
104E	2nd Clutch (130mm OD)	5	99-01	134104	41102M
104E	2nd Clutch (138mm OD)	5	02-Up	134104A	41102AM
106A	Direct.....	4	99-Up	134106	41104M
108B	Forward	4	99-Up	134108	41110M
110G	Reverse	2	99-Up	134100	41100M
114D	Low Reverse.....	5	99-Up	134106	41104M
116D	2nd Coast (173mm OD)	3	99-01	134106	41104M
116D	2nd Coast (176mm OD).....	3	02-Up	134116	41104AM
STEEL PLATES (ONE SIDED FRICTION) EXTERNAL TEETH					
120H	Overdrive	2	99-Up	134120	41101M
122G	Coast.....	3	99-Up	134122	41109M
123C	Intermediate.....	3	99-Up	134123	41107M
124E	2nd Clutch (130mm OD)	5	99-01	134124	41103M
124E	2nd Clutch (138mm OD)	5	02-Up	134124A	41103AM
126A	Direct.....	4	99-Up	134126	41105M
128B	Forward	4	99-Up	134128	41111M
130G	Reverse	2	99-Up	134120	41101M
134D	Low/ Reverse.....	4	99-Up	134134	41112M
136D	2nd Coast (173mm OD)	4	99-01	134126	41105M
136D	2nd Coast (176mm OD).....	4	02-Up	134136	41105AM

4L40E 4 SPEED, 5L40E 5 SPEED (M82), 5L50E (M22) - ELECTRONIC - RWD

ILL.	DESCRIPTION	QTY.	YEAR	PART NO.	REFERENCE NO.
PRESSURE PLATES					
Prefix Key: D = OEM, A = Aftermarket New, R = Remanufactured					
140H	Overdrive	1	99-Up	134150	N/A
142	2nd Clutch (5.460" OD) (5L40E)	1	99-Up	134142	N/A
142	2nd Clutch (5.150" OD) (5L50E)	1	02-Up	134142A	N/A
144H	Intermediate.....	1	99-Up	134144	N/A
146A	Direct.....	1	99-Up	134146	N/A
148B	Forward (Top)	1	99-Up	134148	N/A
150	Reverse Clutch Backing (18 T)	1	99-Up	134150	N/A
151	Reverse Clutch Apply (36 T).....	1	99-Up	134151	N/A
152	Coast Clutch Backing	1	99-Up	134152	N/A
153	Coast Clutch Apply.....	1	99-Up	134153	N/A
154D	Low/ Reverse Clutch.....	1	99-Up	134154	N/A
156	2nd Coast (6 T) (5L40E).....	1	99-Up	134156	N/A
156	2nd Coast (18 T) (5L50E).....	1	02-Up	134156A	N/A
SEALING RINGS					
175K	Sealing Ring Kit.....	1	99-Up	134175	N/A
GASKETS & O-RINGS					
300	Gasket, Pan (Bonded)	1	99-Up	134300	13600MR
310	Gasket, Pump	1	99-Up	134310	13601M
311	O-Ring, Pump	1	99-Up	134311	13602M
320	Gasket, Valve Body (Upper).....	1	99-Up	134320	N/A
321	Gasket, Valve Body (Lower)	1	99-Up	134321	N/A
322	Gasket, Valve Body Channel Plate.....	1	99-Up	134322	N/A
TECHNICAL MANUALS					
400K	Tech Manual	1	99-Up	134400	41Y05
400K	Transmission Guide (GM).....	1	99-Up	134400A	N/A
ELECTRICAL COMPONENTS					
421J	Solenoid, Shift (1-2, 2-3, 4-5).....	3	99-Up	134421	5A-555
425J	Solenoid, TCC.....	1	99-Up	74418E	5A-187
431J	Solenoid, EPC (Holley)	1	99-03	84431G	5A-186
431J	Solenoid, EPC (Bosch).....	1	04-Up	84431H	5D-186B
446J	Wire Harness, Internal.....	1	99-Up	134446	35A-555
HARD PARTS					
Prefix Key: D = OEM, A = Aftermarket New, R = Remanufactured					
PUMPS					
520A	Pump Stator (11 Bolt, Cast 095304).....	1	99-Up	134520	41424M
520A	Pump Stator (Code 1268-190100).....	1	02-Up	134520A	N/A
531	Pump Rotor Kit	1	99-Up	134531K	K41201M
532	Pump Rotor (13 Vane, .707" Thick).....	1	99-Up	74532C	61802A
533	Pump Vane Kit (Qty 13).....	1	99-Up	74533K-1B	K61801A
534	Pump Slide (.707").....	1	99-Up	74534CA	61803A
535	Pump Slide Pivot Pin.....	1	99-Up	54535B	32805
536	Pump Spring, Outer Slide (.645" OD).....	1	99-Up	134536	N/A
538	Pump Vane Ring, Hardened Steel	2	99-Up	54538BS	32322SP
539	Pump Rotor Guide (13 Vane Type).....	1	99-Up	74539C	61422A
540	Spring, Pump Slide Pivot Pin	1	99-Up	54540B	D32806
507K	Valve w/ Sleeve, Boost.....	1	99-Up	134507FK	K41971M
507K	Valve w/ Sleeve, Press Reg (requires T-55211-TL8).....	1	99-Up	134507PK	N/A

4L40E, 5L40E

4L40E 4 SPEED, 5L40E 5 SPEED (M82), 5L50E (M22) - ELECTRONIC - RWD

ILL.	DESCRIPTION	QTY.	YEAR	PART NO.	REFERENCE NO.
DRUMS & CLUTCH HUBS					
550C	Intermediate / Overdrive Clutch Housing (3 Clutch) (5L40E).....	1	99-Up	134550	41964M
550C	Intermediate / Overdrive Clutch Housing (2 Clutch) (5L50E).....	1	02-Up	134550A	N/A
554G	Forward / Coast Clutch Drum w/ Shaft (9 1/8" Long Shaft) (5L40E).....	1	99-Up	134554	41963M
554G	Forward / Coast Clutch Drum w/ Shaft (8 15/16" Long Shaft) (5L50E).....	1	02-Up	134554A	N/A
556A	Direct / Reverse Clutch Drum, Stamped Steel (31T Reluctor) (5L40E).....	1	99-Up	134556	41962M
559G	Coast Clutch Housing (1.380" Thick) (5L40E).....	1	99-Up	134559	N/A
559G	Coast Clutch Housing (1.265" Thick) (5L50E).....	1	02-Up	134559A	N/A
570H	Overdrive / Reverse Clutch Hub (36 T).....	1	99-Up	134570	41974M
575B	Forward Clutch Hub With Shaft & Sprag Assembly.....	1	99-Up	134575K	41970M
575B	Direct Clutch Hub w/ Shaft (5L40E).....	1	99-Up	134575	41972M
575B	Direct Clutch Hub w/ Shaft (5L50E).....	1	02-Up	134575A	N/A
577C	Low / Reverse Clutch Hub w/ Low Sprag Inner Race.....	1	99-Up	134577	N/A
579E	2nd Coast Clutch Hub (5L40E).....	1	99-Up	134579	N/A
579E	2nd Coast Clutch Hub (5L50E).....	1	02-Up	134579A	N/A
PLANETS					
583	Planetary Package Including Ring Gear (4L40E).....	1	99-Up	134583	K41950M
583	Planetary Package Including Ring Gear (5L40E).....	1	02-Up	134583A	K41950BM
584F	Planetary (1 Groove) (5L40E).....	1	99-Up	134584	N/A
584F	Planetary (No Groove) (5L50E).....	1	02-Up	134584A	N/A
594F	Ring Gear (106 T Left Angle) (1 OD Groove) (5L40E).....	1	99-Up	134594	N/A
594F	Ring Gear (107 T Left Angle) (No OD Groove) (5L40E).....	1	99-Up	134594A	N/A
594F	Ring Gear (110 T Left Angle) (1 OD Groove) (5L50E).....	1	02-Up	134594B	N/A
594F	Ring Gear (114 T Left Angle) (No OD Groove) (5L50E).....	1	02-Up	134594C	N/A
CENTER SUPPORTS					
632D	Center Support (6 T 2nd Coast Steels) (5L40E).....	1	99-Up	134632	41965M
632D	Center Support (36 T 2nd Coast Steels) (4L40E).....	1	02-Up	134632A	41965BM
SPRAGS					
642	Low Sprag Assembly.....	1	99-Up	134642	41976M
646	2nd Sprag Assembly.....	1	99-Up	134646	41978M
652H	Sprag, Intermediate Clutch (2.929" OD).....	1	99-Up	134658	41960M
652E	Sprag, 2nd Clutch (3.415" OD).....	1	99-Up	134652	41960R
654C	Sprag, Low Roller Clutch (3.205" OD).....	1	99-Up	134654	41960P
658B	Sprag, Forward Clutch (2.929" OD).....	1	99-Up	134658	41960M
SHAFTS					
674B	Input Sun Gear Shaft (11 1/2" Long) (5L40E).....	1	99-Up	134674	N/A
674B	Input Sun Gear Shaft (11 11/16" Long) (5L50E).....	1	02-Up	134674A	N/A
678F	Output Shaft (106 T Ring Gear Type) (5L40E).....	1	99-Up	134678	N/A
678F	Output Shaft (114 T Ring Gear Type) (5L50E).....	1	02-Up	134678A	N/A
VALVE BODIES					
740J	Valve Body (Premium) 789 Code.....	1	99-01	134740-1	P41990L
740J	Valve Body (Premium) 378 Code.....	1	02-Up	134740-2	P41990M
740J	Valve Body (Premium) 374 Code.....	1	04-Up	134740-3	P41990P
741K	Kit, AFL Valve & Sleeve (requires T-F-55211-TL & T-VB-Fix).....	1	99-Up	134741LK	K41888M
741K	Kit, TCC Reg. Valve & Sleeve (requires T-F-55211-TL4).....	1	99-Up	134741QK	K41884M
741K	Repair Kit, Pump & VB Actuator Feed, Press. Reg. Repair (Refill # 134741RK).....	1	99-01	134741K	K41866
PISTON KITS					
960	Piston Kit (Bonded).....	1	99-01	134960K	N/A
960	Piston Kit (Bonded).....	1	02-Up	134960AK	K41528M