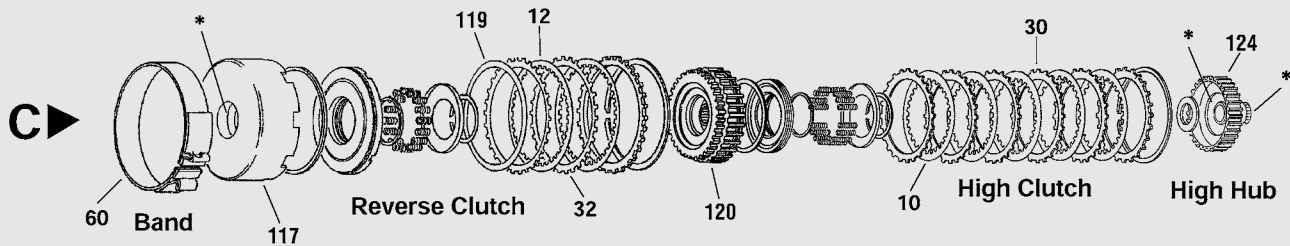
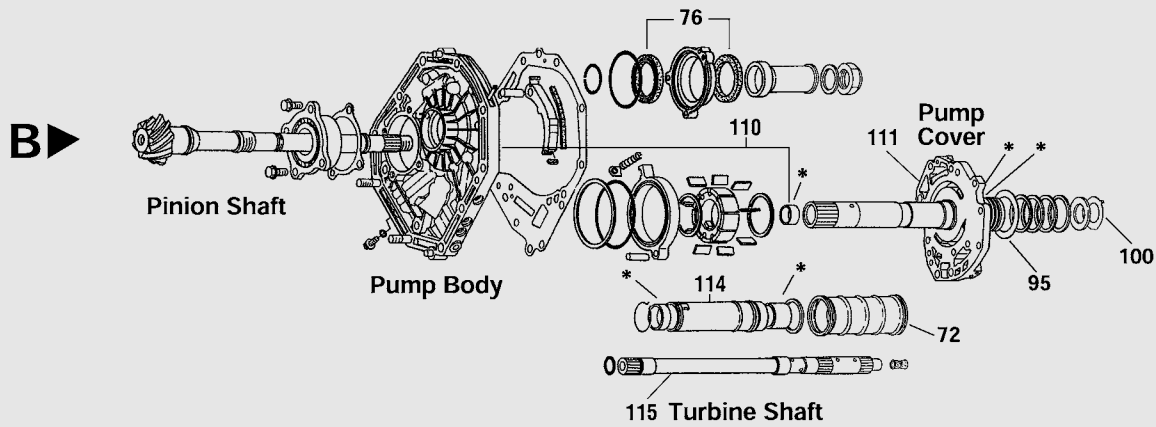
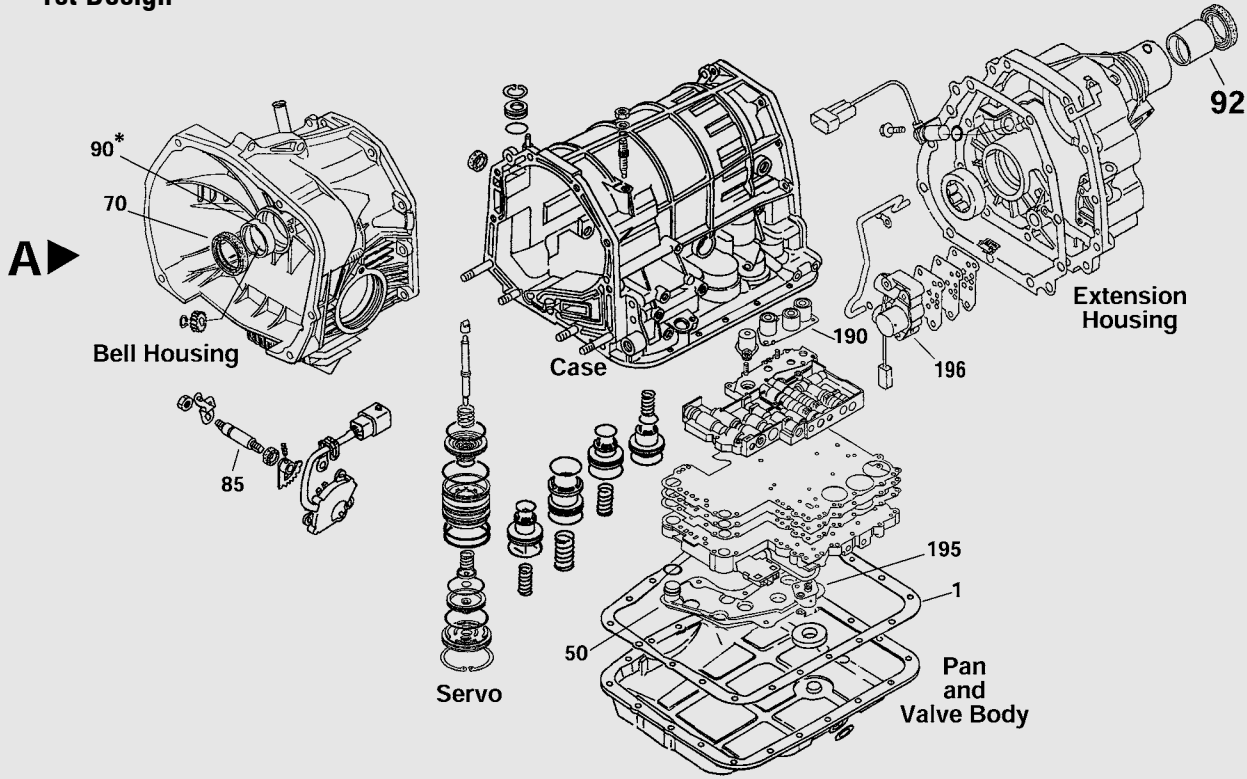
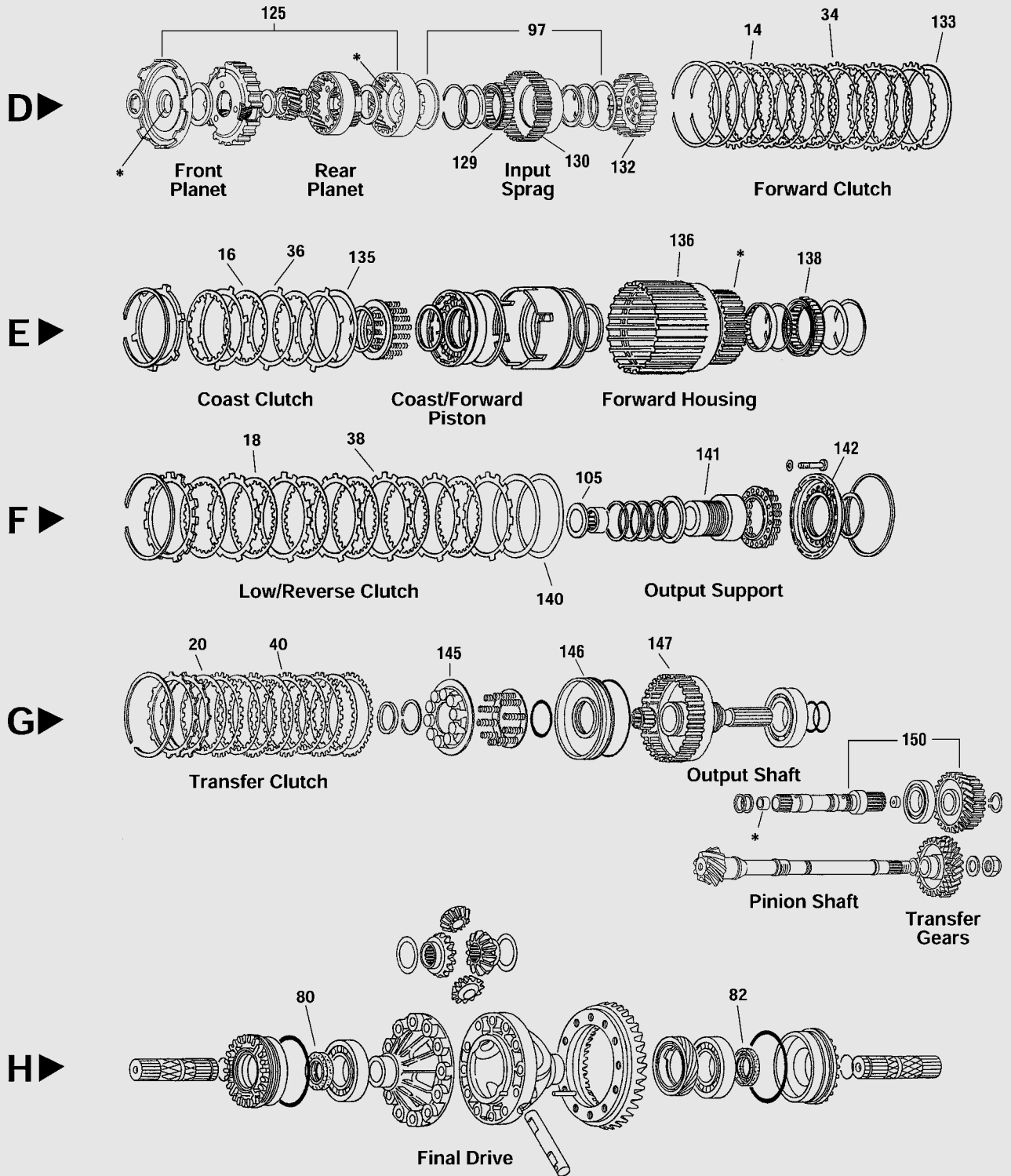


**1st Design**



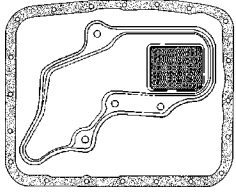
\* Bushing Location

## 1st Design

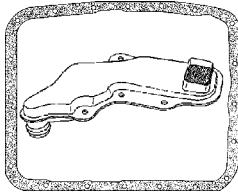


# SUBARU R4AX-EL (4EAT) 4 SPEED - 2WD & 4WD

# FWD 1ST & 2ND DESIGN

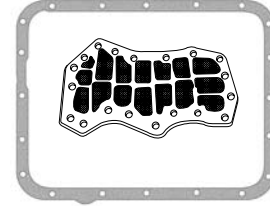
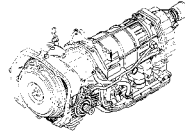


Up to 98  
1st Design (4EAT)  
20 Bolt Pan  
(1/8" Tall Neck)  
FK77800



20 Bolt Pan  
1st Design (4EAT)  
(1/2" Tall Neck)  
FK77800A

The Subaru 4 Speed Automatic Transaxle w/L/U and Overdrive used in both 2WD & 4WD models, 1st and 2nd Design Transmissions.



98-Up  
2nd Design  
FK77800B

## REBUILDER KITS

DESCRIPTION	QTY.	YEAR	DELUXE KIT	MASTER O/H KIT	LESS STEELS KIT	OVERHAUL KIT	GASKET & SEAL KIT
Kits: All exc. Legacy Turbo, SVX and Impreza - 1st Design (1)	1	87-E95		<b>K7700</b>	<b>K7700-LS</b>	<b>K77900</b>	
KitsL: Legacy Turbo, SVX-1st Des. (2)	1	90-95		<b>K7700A</b>	<b>K7700A-LS</b>	<b>K77900</b>	
Impreza - 1st Design	1	93-E97		<b>K7700B</b>	<b>K7700B-LS</b>	<b>K77900</b>	
Legacy Non Turbo- 1st Design (1)	1	L95-97		<b>K7700C</b>	<b>K7700C-LS</b>	<b>K77900</b>	
Legacy 2.5L DOHC- 1st Design	1	96-98		<b>K7700D</b>	<b>K7700D-LS</b>	<b>K77900</b>	
All: Spin-on Filter - 2nd Design	1	7/98-Up		<b>K7700F</b>	<b>K7700F-LS</b>	<b>K77900B</b>	

(1) K7700 and K7700-LS fit 87-5/95 XT, Loyale, and non-turbo Legacy; and contain thick forward frictions and steels. (NOTE: To service 93-5/95 Legacy, purchase 6, 77108A frictions and 6, 77109A steels separately.) K7700C and K7700C-LS fit 6/95-E97 non-turbo Legacy and contain thin forward frictions and steels. (NOTE: To service 96-97 2.0L Legacy, purchase 4, 68102C steels, if required.) To service L97-98 all w/ 38T reverse frictions, purchase 77100B and 77102C/D separately.

(2) K7700A and K7700A-LS fit 90-1/95 turbo Legacy and SVX; and contain thick forward frictions and steels. (NOTE: To service 95-97 SVX, purchase 6, 78104 and 6, 78105 clutches separately.)

ILL.	DESCRIPTION	QTY.	YEAR	PART NO.	REFERENCE NO.
<b>MISCELLANEOUS GASKETS &amp; SEALS/PAN GASKETS</b>					
1A	Gasket - Oil Pan - 1st Design - All .....	1	87-98	<b>13615BX</b>	31397-AA040
	Gasket - Oil Pan - 2nd Design - All (OEM is silicone) .....	1	98-Up	<b>13615DX</b>	N.L.
N.I.	Gasket - Valve Body Package ..... 2nd Des.(4EAT)	1	98-Up	<b>K13848</b>	N.L.

## CLUTCH PLATES

10C	Friction: - High - .062 .....	4-5	87-Up	<b>68103B</b>	31532-AA050
	- High - .063-36T ..... 2nd Des.(4EAT)	4	98-Up	<b>77103F</b>	31532-AA150
12C	- Reverse - .080 - 34T .....	2	87-Up	<b>68100A</b>	31532-AA030
	- Reverse - .080 - 30T .....	2	93-Up	<b>78100A</b>	31532-AA080
	- Reverse - .080-38T ..... 1st Des.(4EAT)	2	L97-98	<b>77100B</b>	31532-AA140
	- Reverse - .063-30T ..... 2nd Des.(4EAT)	2	98-Up	<b>77100F</b>	31532-AA180
14D	- Forward - .078 .....	5/6	87-Up	<b>78104A</b>	31532-AA060
	- Forward - .063 .....	5/6	95-Up	<b>78104</b>	31532-AA110
16E	- Overrun - .078 .....	3	87-Up	<b>78106</b>	31532-AA070
18F	- Low & Reverse - .078 .....	4/6	87-Up	<b>78108</b>	31662-AA050
	- Low & Reverse - .061 .....	6/8	91-Up	<b>77108</b>	31662-AA060
	- Low & Reverse - .070 .....	6/7	93-Up	<b>77108A</b>	31662-AA080
N.I.	- Low - .071-30T ..... 2nd Des.(4EAT)	6	98-Up	<b>77104F</b>	31532-AA170
N.I.	- 2-4 Brake - .063-30T ..... 2nd Des.(4EAT)	3	98-Up	<b>77110F</b>	31532-AA131
20G	- Transfer Case - .079 .....	5	87-Up	<b>77112</b>	31588-AA020
	- Transfer Case - .071 .....	5/6	91-Up	<b>77112A</b>	31588-AA060
30C	Steel: - High - .118 - Narrow ..... 1st Des.(4EAT)	3/4	87-Up	<b>68102A</b>	31536-AA030
	- High - .108 - Narrow ..... 1st Des.(4EAT)	5	91-Up	<b>77102</b>	31536-AA070
	- High - .080 - Narrow ..... 1st Des.(4EAT)	1	89-Up	<b>68102C</b>	31536-AA040
	- High - .079 - 24T - Wide ..... 1st Des.(4EAT)	1	L97-98	<b>77102C</b>	31536-AA170
	- High - .118 - 24T - Wide ..... 1st Des.(4EAT)	1	L97-98	<b>77102D</b>	31536-AA160
	- High - .078-8T ..... 2nd Des.(4EAT)	4	98-Up	<b>77102F</b>	31536-AA220

# FWD 1ST & 2ND DESIGN

# SUBARU R4AX-EL(4EAT) 4 SPEED - 2WD & 4WD

ILL.	DESCRIPTION	QTY.	YEAR	PART NO.	REFERENCE NO.
<b>CLUTCH PLATES (Cont.)</b>					
32C	Steel:				
	- Reverse - .080 - 30T .....	2	87-Up	<b>68101A</b>	31536-AA000
	- Reverse - .080 - 30T - Small I.D. - Impreza .....	2	93-Up	<b>78101A</b>	31536-AA100
	- Reverse - .063-32T .....	2	98-Up	<b>77101F</b>	31536-AA190
34D	- Forward - .080 .....	5	87-Up	<b>78105A</b>	31536-AA080
	- Forward - .071 .....	1	95-Up	<b>78105</b>	31536-41X13
36E	- Overrun - .080 .....	3	87-Up	<b>78107</b>	31536-AA090
38F	- Low & Reverse - .080 .....	4/6	87-Up	<b>78109</b>	31666-AA020
	- Low & Reverse - .071 .....	6/8	91-Up	<b>77109</b>	31666-AA030
	- Low & Reverse - .063 .....	6/7	93-Up	<b>77109A</b>	31666-AA060
40G	- Transfer Case - .071 .....	5	87-Up	<b>77113</b>	31589-AA030
	- Transfer Case - .063 .....	5/6	91-Up	<b>77113A</b>	31589-AA041
N.I.	Steel - Low - .055-30T .....	6	98-Up	<b>77105F</b>	31536-AA200
N.I.	Steel - 2-4 Brake - .095-23T .....	2	98-Up	<b>77111F</b>	31536-AA142
42C	Cushion Plate - Tanged - w/Frictions & Steels - Reverse .....	1	87-92	<b>K78101A</b>	N.L.
	Cushion Plate - Tanged - w/Frictions & Steels - Reverse .....	1	93-Up	<b>K78101B</b>	N.L.
<b>FILTERS/FILTER KITS</b>					
<b>Order Filter Kits with 'FK' prefix for Cork &amp; Neoprene, 'FFK' prefix for Fibre.</b>					
N.I.	Filter Kit - Loyale .....	1	87-98	<b>FK77800</b>	N.L.
N.I.	Filter Kit - Legacy, SVX, Impreza .....	1	91-98	<b>FK77800A</b>	N.L.
N.I.	Filter Kit - Forester, Legacy, Impreza .....	1	98-Up	<b>FK77800B</b>	N.L.
50A	Filter - 1/8 - Loyale .....	1	87-98	<b>77800</b>	31728-AA000
50A	Filter - 1/2 - Legacy, SVX, Impreza .....	1	91-98	<b>77800A</b>	31728-AA011
50A	Filter - Forester, Legacy, Impreza .....	1	98-Up	<b>77800B</b>	31728-AA050
N.I.	Filter - Forester, Legacy, Impreza - Spin-On - External .....	1	98-Up	<b>77801</b>	38325-KA000
<b>BRAKE BANDS</b>					
<b>Order NEW Brake Bands with 'B' prefix for Borg Warner brand, 'R' prefix for Raybestos brand.</b>					
60C	Brake Band Assembly .....	1	87-98	<b>78700</b>	31630-AA010
<b>METAL CLAD SEALS</b>					
70A	Converter - 50 x 65 x 10mm - All .....	1	87-Up	<b>77203</b>	80675-0030
72B	Converter - Housing Tube w/Seal - All .....	1	87-Up	<b>77210</b>	31295-AA003
76B	Drive Pinion - 51 x 66 x 6.5mm - All .....	2	87-98	<b>77204</b>	80675-2010
N.I.	Output - 35 x 50 x 11mm - All .....	1	87-Up	<b>45201</b>	80673-5070
80H	Axle - Left - 30 x 50 x 9mm - All .....	1	87-Up	<b>77206</b>	80673-0032
82H	Axle - Right - 30 x 50 x 9mm - All .....	1	87-Up	<b>77205</b>	80673-0031
85A	Manual Lever - 16 x 25 x 5mm - All .....	1	87-Up	<b>77208</b>	80671-6040
N.I.	Speedometer - 12 x 17.5 x 8mm - All .....	1	87-Up	<b>52202</b>	80671-2030
<b>BUSHINGS</b>					
N.I.	Bushing Kit .....	1	87-98	<b>K77901</b>	N.L.
N.I.	Bushing Kit .....	1	98-Up	<b>K77901B</b>	N.L.
90A	Converter Housing .....	1	87-Up	<b>77001</b>	N.L.
92A	Extension Housing .....	1	87-98	<b>52011</b>	N.L.
<b>SEALING RINGS/RING KITS</b>					
<b>Order Sealing Rings with 'T' suffix for Teflon.</b>					
N.I.	Ring Kit - Complete .....	1	87-98	<b>K77903</b>	N.L.
N.I.	Ring Kit - Complete .....	1	98-Up	<b>K77903B</b>	N.L.

# SUBARU R4AX-EL (4EAT) 4 SPEED - 2WD & 4WD

# FWD 1ST & 2ND DESIGN

ILL.	DESCRIPTION	QTY.	YEAR	PART NO.	REFERENCE NO.	
<b>THRUST WASHERS/NEEDLE BEARINGS</b>						
95B	Washer - Pump - Selective - 1.9mm ..... 1st Des.(4EAT)	1	87-98	<b>78400F</b>	31528-21X06	
97D	Forward Hub - Front - Rear ..... 1st Des.(4EAT)	2	87-98	<b>78401</b>	31508-41X01	
N.I.	Washer Kit - (Use w/SPS112A, See Index) - Front Planet ..... 1st Des.(4EAT)	1	-	<b>QWK7100</b>	N.L.	
<b>BEARINGS</b>						
N.I.	Bearing Kit: ..... 1st Des.(4EAT)					
	- Full Bearing/Washer Kit ..... 1	1	87-98	<b>K78500</b>	N.L.	
	- Partial Kit - Planetary ..... 1	1	87-98	<b>K78500S</b>	N.L.	
100B	Race - Pump / Hi Drum - Selective - 2.0mm ..... 1st Des.(4EAT)	1	87-98	<b>78500F</b>	31429-21X06	
105F	Hub to Support - 2nd Design Hub ..... 1st Des.(4EAT)	1	87-98	<b>78509A</b>	31407-41X11	
<b>HARD PARTS</b>						
<p><b>Hard Parts may only require the base number for OEM/Aftermarket New. A "N" suffix may also be required or a "-R" suffix for remanufactured. Exceptions are listed individually.</b></p> <p><b>NOTE: A separate column is provided to indicate a primary or specific brand/type.</b></p>						
ILL.	DESCRIPTION	BRAND	QTY.	YEAR	PART NO.	REFERENCE NO
110B	Pump Body - Complete - Vane Type ..... 1st Des.(4EAT)	R	1	87-98	<b>77920</b>	N.L.
	Pump Body - Complete - Gear Type ..... 2nd Des.(4EAT)	R	1	98-Up	<b>77920B</b>	N.L.
111B	Pump Cover ..... 1st Des.(4EAT)	R	1	87-98	<b>77919</b>	N.L.
	Pump Cover ..... 2nd Des.(4EAT)	R	1	98-Up	<b>77919B</b>	N.L.
114B	Sleeve - Pump Drive ..... 1st Des.(4EAT)		1	87-98	<b>77942</b>	N.L.
	Sleeve - Pump Drive ..... 2nd Des.(4EAT)		1	98-Up	<b>77942B</b>	N.L.
115B	Turbine Shaft ..... 1st Des.(4EAT)	R	1	87-98	<b>77918</b>	N.L.
	Turbine Shaft ..... 2nd Des.(4EAT)	R	1	98-Up	<b>77918B</b>	N.L.
117C	Drum - Reverse ..... 1st Des.(4EAT)		1	87-98	<b>78921</b>	N.L.
	Drum - Reverse/High ..... 2nd Des.(4EAT)		1	98-Up	<b>78921B</b>	N.L.
119C	Reverse Dished Plate - w/Tangs - Eliminates Drum Spin ..... 1st Des.(4EAT)		1	87-98	<b>68950A</b>	31535-21X05
	Reverse Dished Plate ..... 1st Des.(4EAT)		1	87-98	<b>78950</b>	31668-AA030
120C	Drum - High ..... 1st Des.(4EAT)		1	87-98	<b>78922</b>	N.L.
124C	Hub - High Clutch ..... 1st Des.(4EAT)	R	1	87-98	<b>78923</b>	N.L.
	Hub - High Clutch ..... 2nd Des.(4EAT)	R	1	98-Up	<b>78923B</b>	
125D	Planetary Package - Rear Sun Gear - 42T (3) ..... 1st Des.(4EAT)		1	87-98	<b>K78980C</b>	N.L.
	Planetary Package ..... 2nd Des.(4EAT)		1	98-Up	<b>K77980B</b>	N.L.
129D	<b>Sprag</b> - Input ..... 1st Des.(4EAT)		1	87-98	<b>78940</b>	31435-AA020
130D	Hub - Forward Clutch ..... 1st Des.(4EAT)	R	1	87-98	<b>78943</b>	N.L.
132D	Overrun Hub ..... 1st Des.(4EAT)	R	1	87-98	<b>78937</b>	N.L.
133D	Forward Dished Plate ..... 1st Des.(4EAT)		1	87-98	<b>78955</b>	31668-AA010
135E	Overrun Dished Plate ..... 1st Des.(4EAT)		1	87-98	<b>78965</b>	31668-AA020
136E	Drum - Forward - w/Sprag (2nd Design) ..... 1st Des.(4EAT)		1	87-98	<b>78925</b>	N.L.
	Drum - Low Clutch ..... 2nd Des.(4EAT)		1	98-Up	<b>77925B</b>	N.L.
138E	<b>Sprag</b> - Low - Small O.D. (replaced by 78925) ..... 1st Des.(4EAT)		1	87-92	<b>78960</b>	31114-AA020
	<b>Sprag</b> - Low Sprag - Large O.D. .... 1st Des.(4EAT)		1	93-98	<b>78960B</b>	31114-AA051
	<b>Sprag</b> - Low Sprag ..... 2nd Des.(4EAT)		1	98-Up	<b>77960</b>	31114-AA060
140F	Low/Reverse Dished Plate ..... 1st Des.(4EAT)		1	87-98	<b>78970</b>	31668-AA000
141F	Support Case - Sprag Inner Race ..... 1st Des.(4EAT)		1	87-98	<b>77935</b>	N.L.
	Support Case - Sprag Inner Race ..... 2nd Des.(4EAT)		1	98-Up	<b>77935B</b>	N.L.
142F	Low/Reverse Clutch Piston (Bonded) - 2.2L ..... 2nd Des.(4EAT)		1	98-Up	<b>77527</b>	31643-AA170
	Low/Reverse Clutch Piston (Bonded) - 2.5L ..... 2nd Des.(4EAT)		1	98-Up	<b>77527A</b>	31643-AA180
145G	Transfer Clutch Piston Retainer (Bonded) ..... 1st Des.(4EAT)		1	87-98	<b>77529</b>	33283-AA000
	Transfer Clutch Piston Retainer (Bonded) ..... 2nd Des.(4EAT)		1	98-Up	<b>77529A</b>	33283-AA010
<p>(3) Planetary Package is 2nd design tooth type and contains front/rear planets, sun shell, sun gear and ring gear. Not interchangeable with 1st design.</p>						

